

Telemetry Modem LTE65-US



- ▶ 4G-LTE connectivity (3G fallback)
- ▶ No infrastructure setup required, built-in SIM card
- ▶ Data can be sent/received anywhere 4G or 3G cellular service is available
- ▶ Easy configuration at the Bosch RaceConnect website
- ▶ Cellular priority (USA only)

The LTE65-US is a 4G-LTE based telemetry modem designed for real time telemetry data transfer on racetrack for use within the USA and Canada. The combination of LTE65-US with RaceConnect cloud provides a highly flexible telemetry data distribution platform, where one transmitter can send to many receivers and many transmitters can send to one receiver. The usage of 4G-LTE cellular service allows for Plug & Play operation with minimal setup. The system has been validated on Bosch displays, ECUs and loggers; however, 3rd party loggers may also be used.

Application

Data interface	RS232 or Ethernet
Max. transmit rate	2 Mbps
Max. receive rate	5 Mbps
Max. receive streams	10
Ethernet	100 BaseT
RS232 baud rates	19.2, 57.6 and 115.2 kB/sec
Display	3 LEDs for device status
Configuration	Bosch RaceConnect website
Supplier of SIM card US	Verizon

Technical Specifications

Mechanical Data

Size	114 x 65.5 x 22 mm
Weight	171 g
Protection classification	IP67

Operating temperature ambient	-30 to 65°C
Storage temperature	-30 to 85°C
Max. vibration	Vibration Profile 1 (see www.bosch-motorsport.com)

Electrical Data

Supply voltage range	8 to 18 V 24 V operation possible on agreement with customer
Max. power consumption	6 W
Antenna impedance	50 Ohm
Antenna max. gain	5.78 dBi

Connectors and Wires

Connector on device	ASDD006-09PN
Mating connector	ASDD606-09SN

Pin Configuration

1	Battery plus
2	RS232 Rx
3	Reset
4	RS232 Tx
5	Battery negative
6	Eth RX+
7	Eth RX-
8	Eth TX+
9	Eth TX-

Legal Restrictions

Operation of this device is permitted in the USA and Canada only.
 The sale of this product in Mexico is prohibited.
 Due to embargo restrictions, sale of this product in Russia, Belarus, Iran, Syria, and North Korea is prohibited.

Upgrades

Basic Kit “Racer” - GT

- 2 Modems
- 2 Data Plan “Racer” subscriptions (500 MB / 20 hours per month (1 year))
- Car Antenna
- Pit Antenna
- Pit Harness

Basic Kit “Pro” - GT

- 2 Modems
- 2 Data Plan “Pro” subscriptions (2 GB / 60 hours per month (1 year))
- Car Antenna
- Pit Antenna
- Pit Harness

Basic Kit “Pro-High” - GT

- 2 Modems
- 2 Data Plan “Pro-High” subscriptions (10 GB / 100 hours per month (1 year))
- Car Antenna
- Pit Antenna
- Pit Harness

Basic Kit “Racer” – GT Direct Link

- 1 Modem
- 2 Data Plan “Racer” subscriptions (500 MB / 20 hours per month (1 year))
- Car Antenna
- Direct Link Token

Basic Kit “Pro” - GT Direct Link

- 1 Modem
- 2 Data Plan “Pro” subscriptions (2 GB / 60 hours per month (1 year))
- Car Antenna
- Direct Link Token

Basic Kit “Pro-High” - GT Direct Link

- 1 Modem
- 2 Data Plan “Pro-High” subscriptions (10 GB / 100 hours per month (1 year))
- Car Antenna

Direct Link Token

Basic Kit “Racer” – Open Wheel (US only)

- 2 Modems
- 2 Data Plan “Racer” subscriptions (500 MB / 20 hours per month (1 year))
- 2 Open Wheel Car Antennas
- Pit Antenna
- Pit Harness

Basic Kit “Pro” - Open Wheel (US only)

- 2 Modems
- 2 Data Plan “Pro” subscriptions (2 GB / 60 hours per month (1 year))
- 2 Open Wheel Car Antennas
- Pit Antenna
- Pit Harness

Basic Kit “Pro-High” - Open Wheel (US only)

- 2 Modems
- 2 Data Plan “Pro-High” subscriptions (10 GB / 100 hours per month (1 year))
- 2 Open Wheel Car Antennas
- Pit Antenna
- Pit Harness

Basic Kit “Racer” – Open Wheel Direct Link (US only)

- 1 Modem
- 2 Data Plan “Racer” subscriptions (500 MB / 20 hours per month (1 year))
- 2 Open Wheel Car Antennas
- Direct Link Token

Basic Kit “Pro” – Open Wheel Direct Link (US only)

- 1 Modem
- 2 Data Plan “Pro” subscriptions (2 GB / 60 hours per month (1 year))
- 2 Open Wheel Car Antennas
- Direct Link Token

Basic Kit “Pro-High” – Open Wheel Direct Link (US only)

- 1 Modem
- 2 Data Plan “Pro-High” subscriptions (10 GB / 100 hours per month (1 year))
- 2 Open Wheel Car Antennas
- Direct Link Token

Data Plan “Racer” Subscription

Data Volume	500 MB / 20 hours per month
Validity	1 year

Data Plan “Pro” Subscription

Data Volume	2 GB / 60 hours per month
Validity	1 year

Data Plan “Pro-High” Subscription

Data Volume	10 GB / 100 hours per month
Validity	1 year

Direct Link “Racer” Subscription

1 additional data consumer of a single stream	
Data Volume	500 MB / 20 hours per month
Validity	1 year

Direct Link “Pro” Subscription

1 additional data consumer of a single stream	
Data Volume	2 GB / 60 hours per month
Validity	1 year

Direct Link “Pro-High” Subscription

1 additional data consumer of a single stream	
Data Volume	10 GB / 100 hours per month
Validity	1 year

Ordering Information

Modem LTE65-US

Order number on request

Modem LTE65-US + Data Plan “Racer” Subscription

Order number **F02U.V0U.417-01**

Modem LTE65-US + Data Plan “Pro” Subscription

Order number **F02U.V0U.418-01**

Modem LTE65-US + Data Plan “Pro-High” Subscription

Order number **F02U.V0U.419-01**

Basic Kit “Racer” - GT

Order number **F02U.V0U.420-01**

Basic Kit “Pro” - GT

Order number **F02U.V0U.421-01**

Basic Kit “Pro-High” - GT

Order number **F02U.V0U.422-01**

Basic Kit “Racer” - GT Direct Link

Order number **F02U.V0U.423-01**

Basic Kit “Pro” - GT Direct Link

Order number **F02U.V0U.424-01**

Basic Kit “Pro-High” - GT Direct Link

Order number **F02U.V0U.425-01**

Basic Kit ”Racer” - Open Wheel

Order number **F02U.V0U.426-01**

Basic Kit “Pro” - Open Wheel

Order number **F02U.V0U.427-01**

Basic Kit “Pro-High” - Open Wheel

Order number **F02U.V0U.428-01**

Basic Kit ”Racer” - Open Wheel Direct Link

Order number **F02U.V0U.429-01**

Basic Kit “Pro” - Open Wheel Direct Link

Order number **F02U.V0U.430-01**

Basic Kit “Pro-High” - Open Wheel Direct Link

Order number **F02U.V0U.431-01**

Software Options

Data Plan “Racer” Subscription

Order number **F02U.V0U.355-01**

Data Plan “Pro” Subscription

Order number **F02U.V0U.357-01**

Data Plan “Pro-High” Subscription

Order number **F02U.V0U.358-01**

Direct Link “Racer” Subscription

Order number **F02U.V0U.355-01**

Direct Link “Pro” Subscription

Order number **F02U.V0U.357-01**

Direct Link “Pro-High” Subscription

Order number **F02U.V0U.358-01**

Accessories

Car Antenna - GT

Quantity 1 required per modem

Order number **F02U.00U.054-01**

Car Antenna - Open Wheel

Quantity 2 required per modem

Order number **F02U.00U.069-01**

Pit Antenna

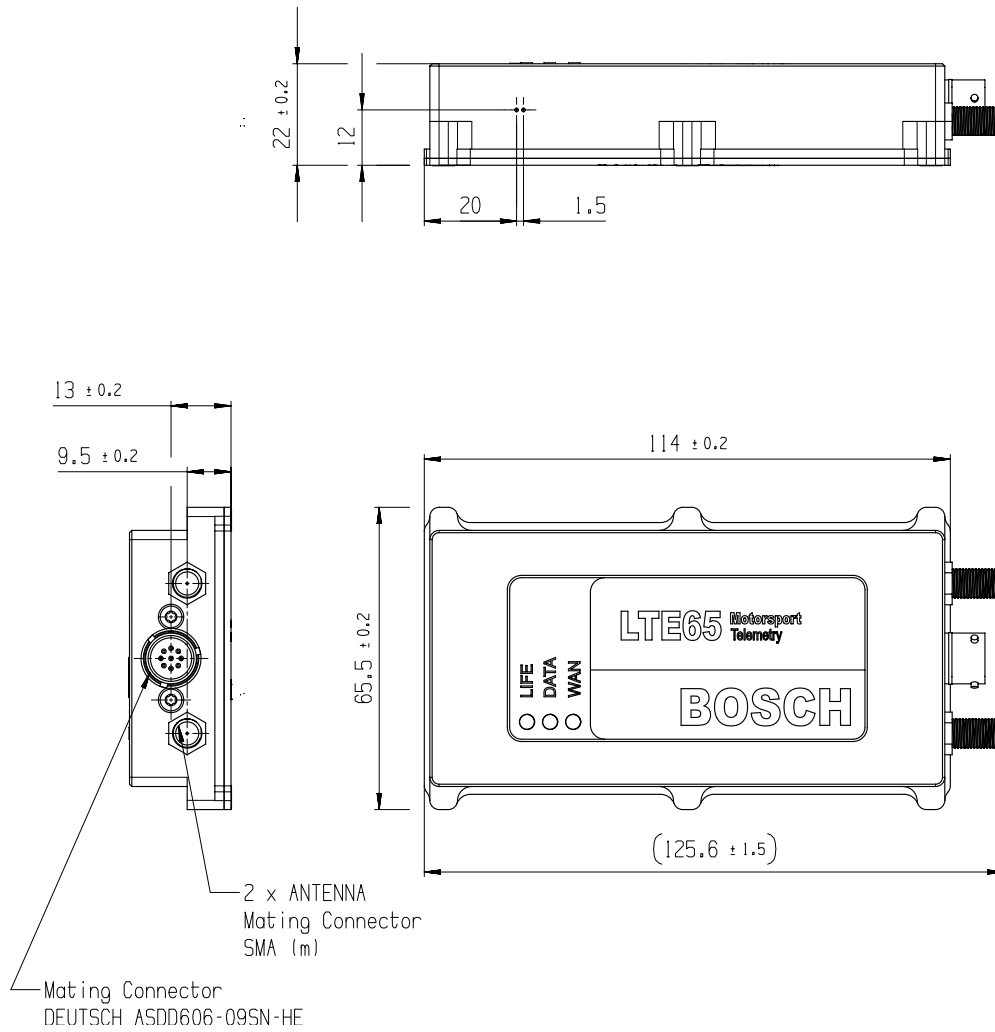
Quantity 1 required per modem

Order number **F02U.00U.070-01**

Pit Harness

Order number **F02U.V02.804-02**

Dimensions



Represented by:

Europe:
 Bosch Engineering GmbH
 Motorsport
 Robert-Bosch-Allee 1
 74232 Abstatt
 Germany
 Tel.: +49 7062 911 9101
 Fax: +49 7062 911 79104
 motorsport@bosch.com
 www.bosch-motorsport.de

North America:
 Bosch Engineering North America
 Motorsport
 38000 Hills Tech Drive
 Farmington Hills, MI 48331-3417
 United States of America
 Tel.: +1 248 876 2977
 Fax: +1 248 876 7373
 motorsport@bosch.com
 www.bosch-motorsport.com

Asia-Pacific:
 Bosch Engineering Japan K.K.
 Motorsport
 18F Queen's Tower C, 2-3-5 Minato
 Mirai Nishi-ku, Yokohama-shi
 Kanagawa 220-6218
 Japan
 Tel.: +81 45 650 5610
 Fax: +81 45 650 5611
 www.bosch-motorsport.jp

Australia, New Zealand and South Africa:
 Robert Bosch Pty. Ltd
 Motorsport
 1555 Centre Road
 Clayton, Victoria, 3168
 Australia
 Tel.: +61 (3) 9541 3901
 motor.sport@au.bosch.com