



Fuel Pressure Regulator Mini 5



- ▶ 5 bar
- ▶ 15 to 220 l/h reflow
- ▶ Adjusted at 105 l/h
- ▶ Sheet steel housing

Fuel pressure regulators are used to maintain constant fuel pressure at the injection valves.

We modified this production type based regulator especially for motorsport use and increased the pressure level.

The main benefit of this regulator include the competitively priced high quality and the high return flow rate.

Application

Pressure range	5 bar
Reflow quantity	15 to 220 l/h
Reference pressure connector	Diam. 5 mm, tube connector
Fuel compatibility	Gasoline, E85, M15
Operating temperature	-40 to 120°C
Storage temperature	-40 to 100°C
Max. vibration	<600 m/s ² at 5 to 250 Hz

Technical Specifications

Mechanical Data

Diameter	34.9 mm
Weight	48.5 g
Mounting	Fastening with a clip

Characteristic

Set pressure accuracy	±2 % at 105 l/h
-----------------------	-----------------

Connectors and Wires

Connector supply	Diam. 25 mm, O-ring
Connector reflow	Diam. 9.15 mm, O-ring

Installation Notes

The tube connector at the housing can be used to supply reference pressure to the regulator. This can be atmospheric pressure, air box pressure or manifold pressure.

Never run the regulator without the integrated filter.

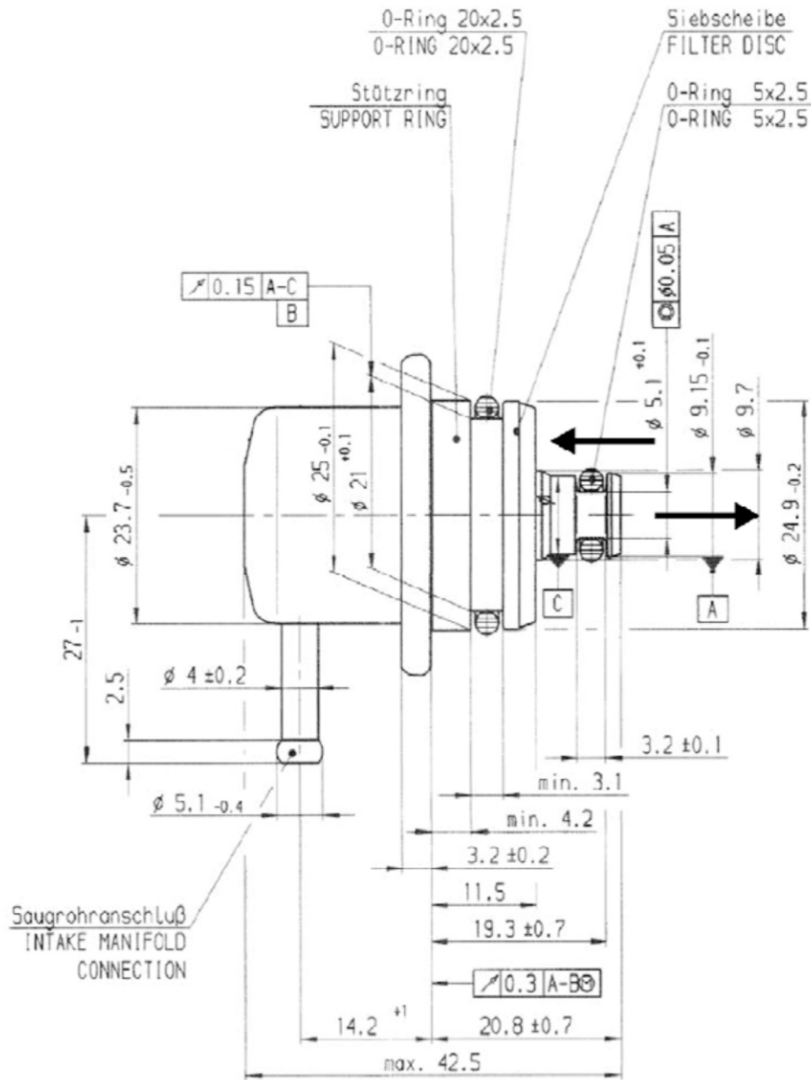
Please oil O-rings lightly before you install the regulator.

Please make a leak test after you have installed the regulator.

When the pressure regulator is removed and will be reused, the O-rings must be tested for fractures.

Operation with air is not allowed.

Dimensions



Ordering Information

Fuel Pressure Regulator Mini 5

0 280 B02 722-02

Europe:
 Bosch Engineering GmbH
 Motorsport
 Robert-Bosch-Allee 1
 74232 Abstatt
 Germany
 Tel.: +49 7062 911 79101
 Fax: +49 7062 911 79104
 motorsport@bosch.com
 www.bosch-motorsport.de

North and South America:
 Bosch Engineering North America
 Motorsports
 38000 Hills Tech Drive
 Farmington Hills, MI 48331-3417
 United States of America
 Tel.: +1 248 876 2977
 Fax: +1 248 876 7373
 motorsport@bosch.com
 www.bosch-motorsport.com

Asia Pacific:
 Bosch Engineering Japan K.K.
 Motor Sport Department
 3-33-8 Tsuruya-cho, Kanagawa-ku, Yokohama-shi
 Kanagawa 221-0835
 Japan
 Tel.: +81 45 410 1650
 Fax: +81 45 410 1651

Represented by