



Linear Potentiometer LP 100F



- ▶ **Measurement range: 0 to 100 mm**
- ▶ **Aluminum housing**
- ▶ **Low power consumption**

The LP 100F is a linear potentiometer which is designed to measure the relative position of two point e.g. the gear position, throttle position or suspension movement.

Its operating mode is based on the linear tape potentiometer principle where the distance travelled between the moving end to the wiper is proportional to the resistance between them.

The advantage of this LP is its compact and lightweight design together with its wider operating temperature range.

Application

| | |
|-------------------|--------------------------------------|
| Application | 0 to 100 mm |
| Temperature range | -30 to 85°C |
| Max. vibration | 126 m/s ² at 10 to 12 kHz |

Technical Specifications

Mechanical Data

| | |
|-------------------|----------|
| Weight w/o wire | 85 g |
| Min. length | 248.6 mm |
| Mounting | 2 x M5 |
| Tightening torque | 10 Nm |
| Protection | IP65 |

Electrical Data

| | |
|----------------------|--------|
| Power supply | 5 V |
| Power supply max. | 74 V |
| Nominal resistance | 4 kΩ |
| Resistance tolerance | 10 % |
| Non-linearity | 0.15 % |

Connectors and Wires

| | |
|----------------|---------------------|
| Connector | KPSE 6E8-33P-DN-A34 |
| Connector loom | KPSE 0E8-33S-DN |
| Pin 1 | U _S |
| Pin 2 | Gnd |
| Pin 3 | Sig |
| Sleeve | DR-25 |
| Wire size | AWG 24 |
| Wire length L | 15 to 25 cm |

Various motorsports and automotive connectors on request.

Please specify the requested wire length with your order.

Installation Notes

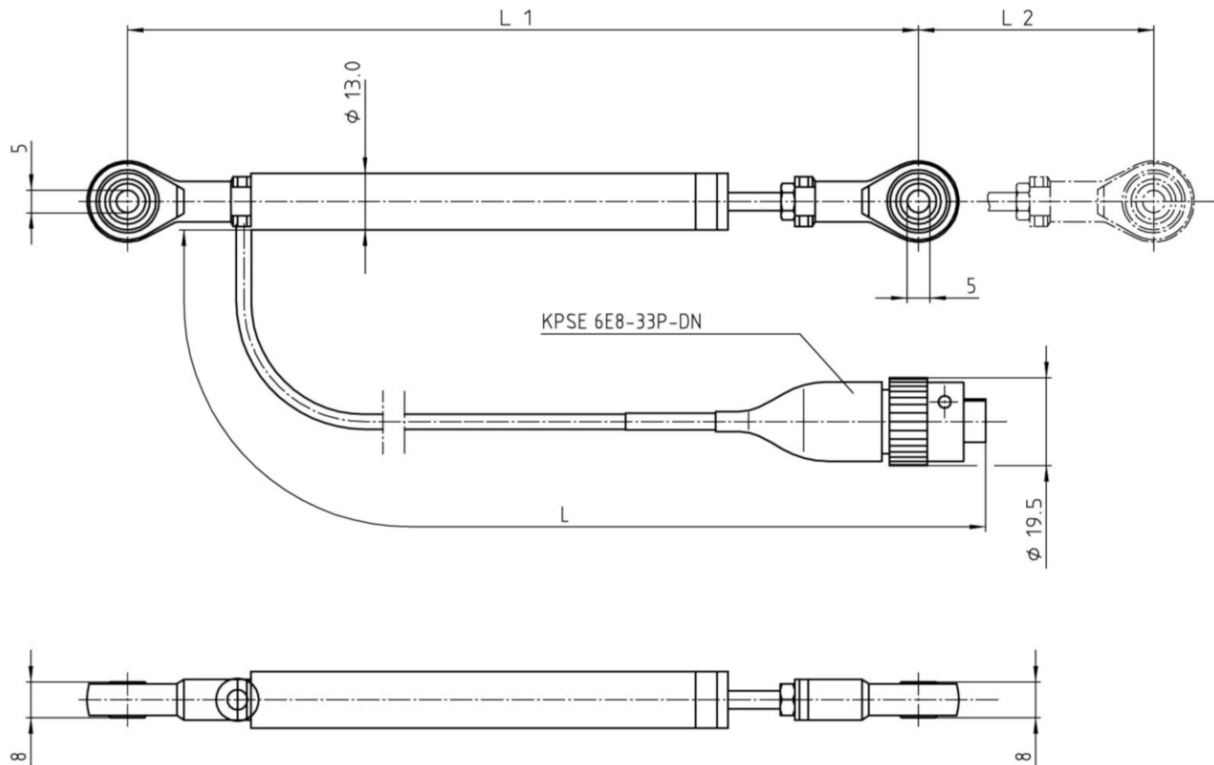
The LP 100F can be connected directly to most electronic control units and data logging systems.

Each mounting orientation is possible.

Please find further application hints in the offer drawing at our homepage.

The LP 100F can be connected directly to most electronic control units and data logging systems.

Dimensions



Ordering Information

Linear Potentiometer LP 100F

B 261 209 853-01

Europe:

Bosch Engineering GmbH
Motorsport
Robert-Bosch-Allee 1
74232 Abstatt
Germany
Tel.: +49 7062 911 79101
Fax: +49 7062 911 79104
motorsport@bosch.com
www.bosch-motorsport.de

North and South America:

Bosch Engineering North America
Motorsports
38000 Hills Tech Drive
Farmington Hills, MI 48331-3417
United States of America
Tel.: +1 248 876 2977
Fax: +1 248 876 7373
motorsport@bosch.com
www.bosch-motorsport.com

Asia Pacific:

Bosch Engineering Japan K.K.
Motor Sport Department
3-33-8 Tsuruya-cho, Kanagawa-ku, Yokohama-shi
Kanagawa 221-0835
Japan
Tel.: +81 45 410 1650
Fax: +81 45 410 1651

Represented by