



Linear Potentiometer LP 75



- ▶ **Measurement range: 0 to 75 mm**
- ▶ **Aluminum housing**
- ▶ **Low power consumption**

The LP 75 is a linear potentiometer which is designed to measure the relative position of two point e.g. the gear position, throttle position or suspension movement.

Its operating mode is based on the linear tape potentiometer principle where the distance travelled between the moving end to the wiper is proportional to the resistance between them.

The advantage of this LP is its precise and compact design with hard metal housing and low power consumption.

Application

Application	0 to 75 mm
Temperature range	-30 to 100°C
Max. vibration	126 m/s ² at 10 to 12 kHz

Technical Specifications

Mechanical Data

Weight w/o wire	78 g
Min. length	223.6 mm
Mounting	2 x M5
Tightening torque	10 Nm
Protection	IP66

Electrical Data

Power supply	5 V
Power supply max.	67 V
Nominal resistance	3 kΩ
Resistance tolerance	10 %
Non-linearity	0.15 %

Connectors and Wires

Connector	ASL 6-06-05PA-HE
Connector loom	ASL 0-06-05SA-HE
Pin 1	U _S
Pin 2	Gnd
Pin 3	Sig
Pin 4	-
Pin 5	-
Sleeve	DR-25

Wire size	AWG 24
Wire length L	15 to 25 cm
Various motorsports and automotive connectors on request.	
Please specify the requested wire length with your order.	

Installation Notes

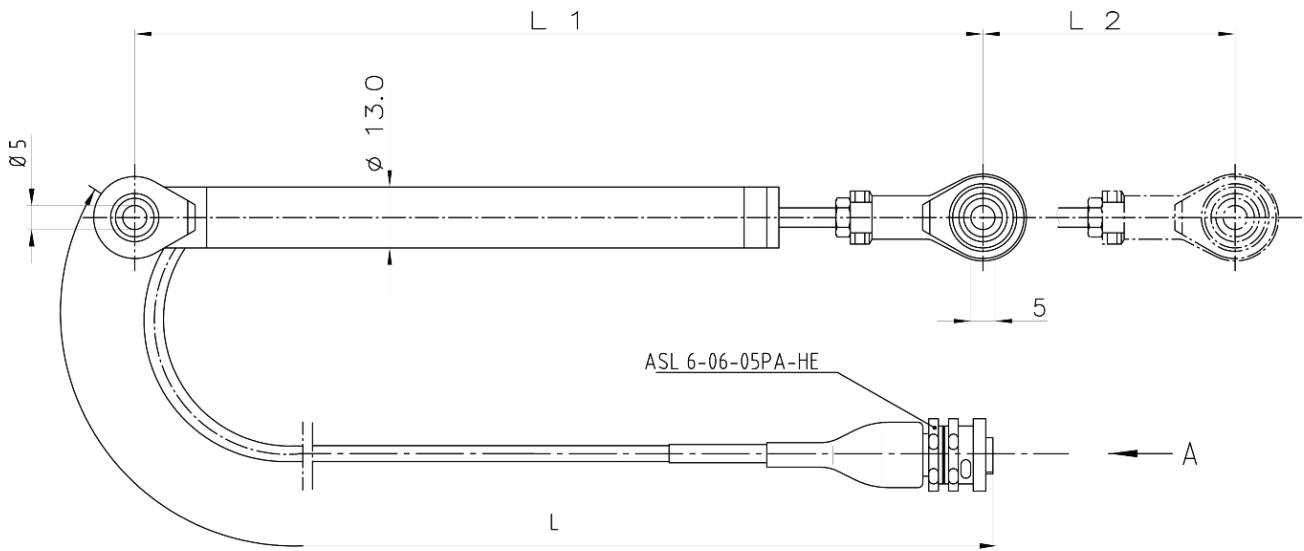
The LP 75 can be connected directly to most electronic control units and data logging systems.

Ball joints at shaft end and case.

Each mounting orientation is possible.

Please find further application hints in the offer drawing at our homepage.

Dimensions



Ordering Information

Linear Potentiometer LP 75

B 261 209 856

Europe:
 Bosch Engineering GmbH
 Motorsport
 Robert-Bosch-Allee 1
 74232 Abstatt
 Germany
 Tel.: +49 7062 911 79101
 Fax: +49 7062 911 79104
 motorsport@bosch.com
 www.bosch-motorsport.de

North and South America:
 Bosch Engineering North America
 Motorsports
 38000 Hills Tech Drive
 Farmington Hills, MI 48331-3417
 United States of America
 Tel.: +1 248 876 2977
 Fax: +1 248 876 7373
 motorsport@bosch.com
 www.bosch-motorsport.com

Asia Pacific:
 Bosch Engineering Japan K.K.
 Motor Sport Department
 3-33-8 Tsuruya-cho, Kanagawa-ku, Yokohama-shi
 Kanagawa 221-0835
 Japan
 Tel.: +81 45 410 1650
 Fax: +81 45 410 1651

Represented by