

HP Injection Valve HDEV 5.2

www.bosch-motorsport.com



- ▶ Max. 500 bar
- ▶ Multi hole
- ▶ Flow rate at 100 bar: up to 1,640 g/min (n-heptane)
- ▶ Spray angle 8 to 20°

The HDEV 5.2 is a high pressure injector, which is developed to be used as a port or a direct injector. The function of the HDEV 5.2 is both to meter out the fuel and to obtain a well-defined mixture of fuel and air. It is an inward opening solenoid injector which is optimized regarding very short opening and closing times which ensures a very stable linearity at short injection times.

The benefit of this injector is a high spray variability concerning spray angle and spray shape. Also the flow rate can be defined in a big range. Bosch offers the spray targeting design according to the individual customer requirements. If your application conditions will not match the listed performance data, please ask for consultancy at Bosch Motorsport. In addition to the specific designed sample, Bosch offers cost effective production HDEV 5.2 on request.

Application

Application at 100 bar (typical)	308 to 1,640 g/min
Fuel input	Top-feed injector
Fuel	Gasoline
Operating pressure	Up to 500 bar
Operating temperature range	-31 to 130°C

Storage temperature range	-40 to 70°C
Max. vibration	600 m/s ²

Technical Specifications

Mechanical Data

Weight w/o wire	68 g
Diameter	20.7 mm
Length	87 mm
Flow rate at 100 bar (n-heptane)	up to 1,640 g/min
Number of holes	4 to 7 holes (typical)
Spray type	Multi hole
Spray angle overall	110° (typical)
Spray angle single beam	8 to 20°
Static flow tolerance	±5 %
Dynamic flow tolerance	±6 % at $t_i = 1.5$ ms
Leakage	≤2.5 mm ³ /min at 23°C

Electrical Data

Booster supply	65 to 90 V
Booster current	13.2 A
Booster time	500 µs
Power supply	12 V
Pick up current	9.6 A
Pick up time	800 µs
Hold power supply	12 V
Hold current	3.0 A hysteresis 0.8 A
Coil resistance	1,500 mOhm (ambient temp.)

Connectors and Wires

Mating connector Compact	D 261 205 359-01
Connector Jetronic (wire)	D 261 205 288-01
Connector motorsport (wire)	On request
Pin 1	Pos
Pin 2	Gnd

Installation Notes

The injector has to be supplied by a Bosch Motorsport Power Stage Unit (e.g. HPI 5 or HPI 1.16).

Listed electrical values may vary according to the application.

The injector can be cleaned (mechanically or chemically), if the tip will not be damaged.

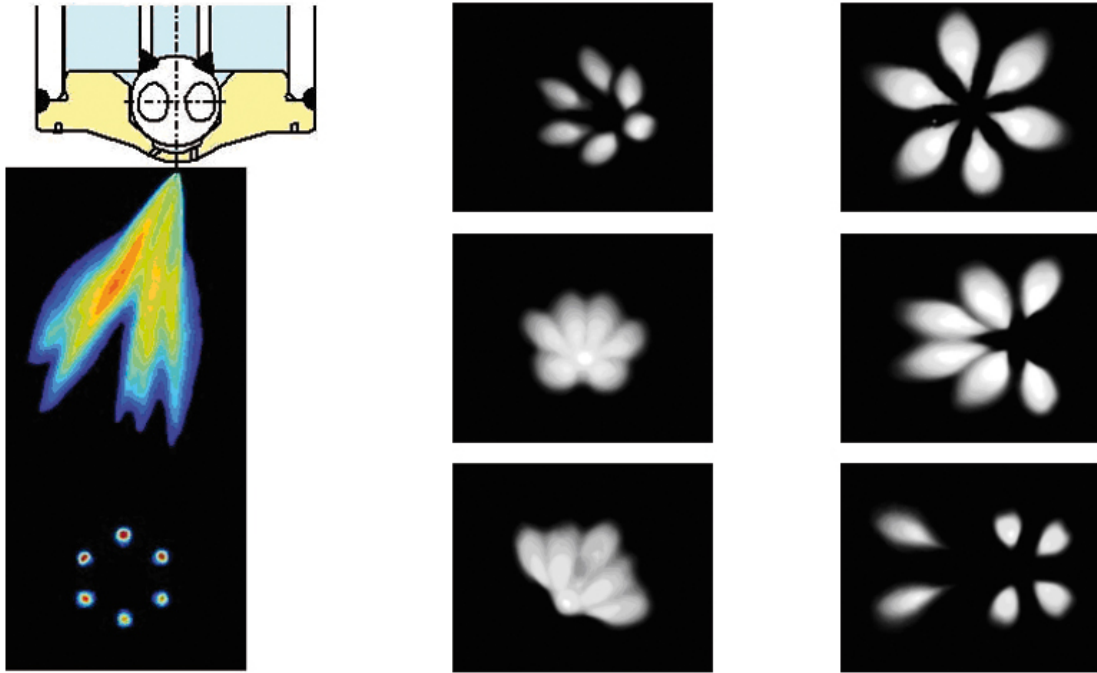
Do not use supersonic cleaning.

Ordering Information

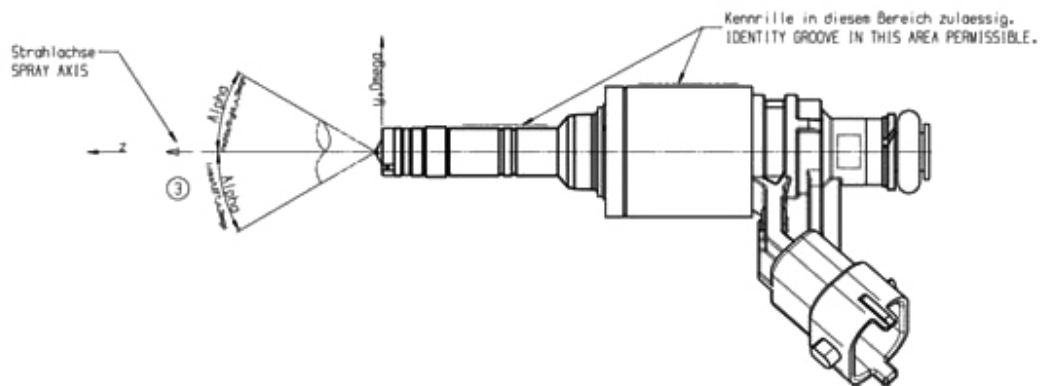
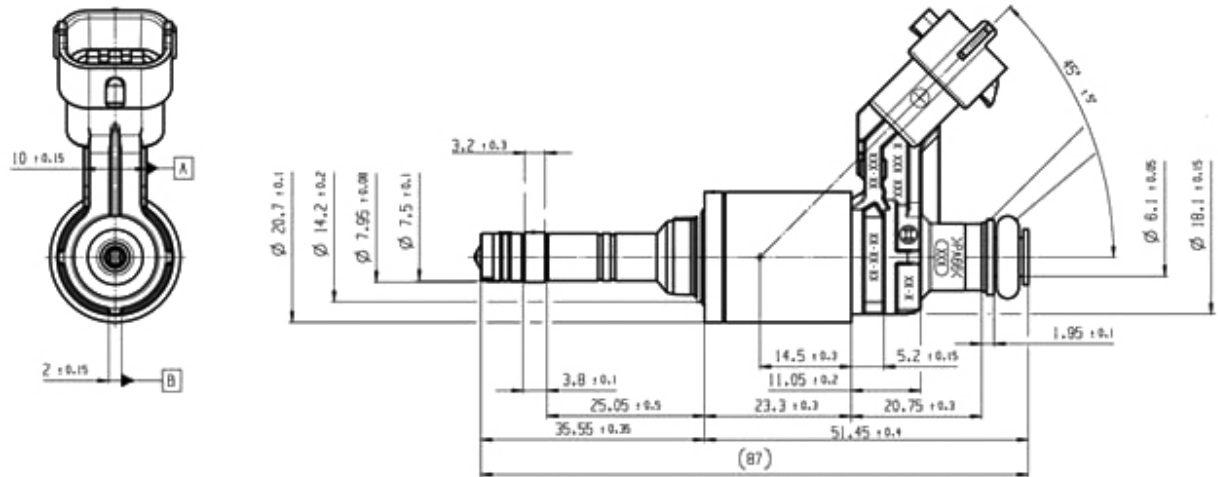
HP Injection Valve HDEV 5.2

Order number **on request**

Dimensions



Spray variations, further variations on request



Represented by:

Europe:
 Bosch Engineering GmbH
 Motorsport
 Robert-Bosch-Allee 1
 74232 Abstatt
 Germany
 Tel.: +49 7062 911 9101
 Fax: +49 7062 911 79104
 motorsport@bosch.com
 www.bosch-motorsport.de

North America:
 Bosch Engineering North America
 Motorsport
 38000 Hills Tech Drive
 Farmington Hills, MI 48331-3417
 United States of America
 Tel.: +1 248 876 2977
 Fax: +1 248 876 7373
 motorsport@bosch.com
 www.bosch-motorsport.com

Latin America:
 Robert Bosch Ltda
 Motorsport
 Av Juscelino Kubitschek de
 Oliveira 11800
 Zip code 81460-900
 Curitiba - Parana
 Brasilia
 Tel.: +55 41 3341 2057
 Fax: +55 41 3341 2779

Asia-Pacific:
 Bosch Engineering Japan K.K.
 Motorsport
 18F Queen's Tower C, 2-3-5 Minato Mirai
 Nishi-ku, Yokohama-shi
 Kanagawa 220-6218
 Japan
 Tel.: +81 45 650 5610
 Fax: +81 45 650 5611
 www.bosch-motorsport.jp

Australia, New Zealand and South Africa:
 Robert Bosch Pty. Ltd
 Motorsport
 1555 Centre Road
 Clayton, Victoria, 3168
 Australia
 Tel.: +61 (3) 9541 3901
 motor.sport@au.bosch.com