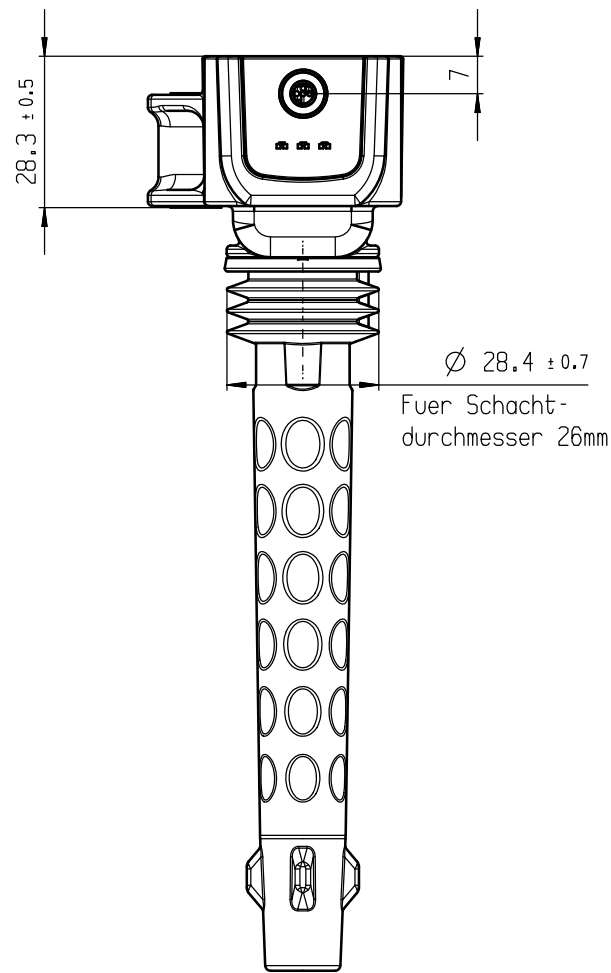
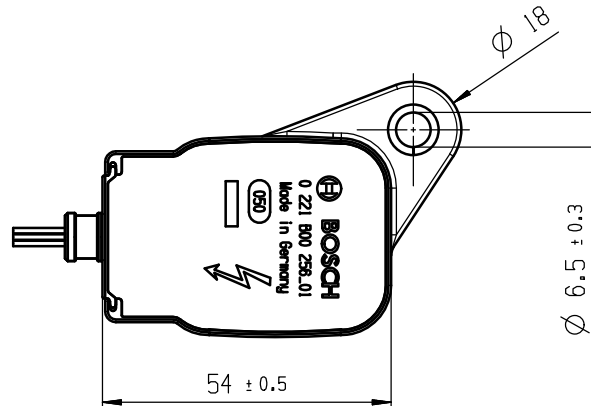
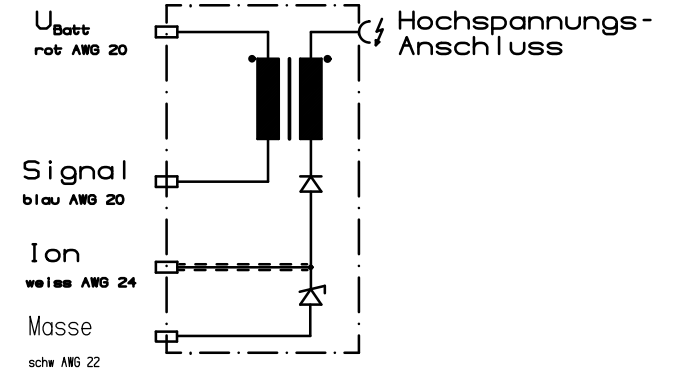


Grease
 WITHOUT SPARK PLUG
 Ø 8.6 ± 0.6



RECOMMENDED FASTENER:
 M6 8.8
 TIGHTENING TORQUE: 7 ± 1Nm

Schaltbild
 CIRCUIT DIAGRAM:



Achtung:
 Primaeranschluss fuehrt
 gefaehrliche Spannung!

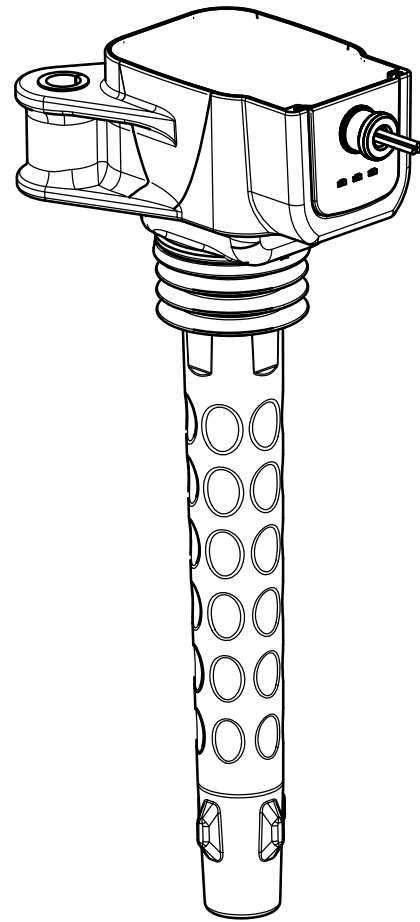
CAUTION: PRIMARY CONNECTOR
 CONDUCTING DANGEROUS VOLTAGE

REGULATIONS AND REMARKS:

CAUTION: OUTER CORE MAY CONDUCT
 DANGEROUS VOLTAGE.

DON'T DISASSEMBLE SPARK PLUG CONNECTOR.

IGNITION COILS, THAT HAVE FALLEN DOWN,
 HAVE TO BE SORTED OUT AND
 REPLACED.



general tolerances for/Allgemeintoleranzen fuer		
lin. dim./L.-masse	radii/Radien	angles/Winkel
±,mm	±,mm	±,°

00	initial	20111213	del2bh			0501	GS-SI/ENI		
Ind.	Change/Änd.	YYYYMMDD	Drawn/Gez.	Checked/Gepr.	Releas./Freig.	BWN	Resp. dept./Verantw. Abt.	Add. info./Zus. Info.	
Lang./Spr.	Syst.	Wght./Gew.				IGNITION COIL ZUENDSPULE			Sheet/Bl.
en/de	UG	Scale/M.stab				0 221 A00 256_01			1 / 1
MNR		1:1	OFFER DRAWING ANGEBOTSZEICHN.			AGZ	DP/TD	Ind.	Format
			Rep. for				001	00	A2
			Rep. by						

© Robert Bosch GmbH. All rights reserved, also regarding any disposal, exploitation, reproduction, editing, distributing, as well as in the event of applications for industrial property rights.