

Injection Valve EV 12

EV 12 injection valves are EV 6 injection valves with an extended tip.

There is only one injector body size for the EV 12. Various delivery rates and spray angles are available.



Application	
Fuel input	axial (top-feed)
Operating temperature	-40 ... 110°C
Permissible fuel temperatures	≤ 70°C
Climate-proof corresponding to saline fog test DIN 50 021	

Mechanical Data	
System pressure	max. 8 bar
Weight	40 g
Installation lengths	48 mm (total 81 mm)

Electrical Data	
Max. power supply	16 V

Characteristic	
Housing design	standard with extension
Connectors	Jetronic, Sumitomo and optional with motorsport connector
Spray type	C (single beam) or E (twin beam)
Flow rate at 3 bar	146 ... 1,023 cm ³ /min
Flow rate at 3 bar	59 ... 670 g/min (n-heptane)
Spray angle α	5° ... 60°
Bent angle γ	0° ... 17°
Coil resistance	11 ... 16 Ω

Application Hint	
Please ask for more information before ordering.	

Examples of Series Production								
Flow rate at 3 bar (n-heptane) [g/min]	Flow rate at 3 bar [cm ³ /min]	Design	Type	Spray angle α	Bent angle γ	Coil resistance	Part number	
120	175	S	E	15°	10°	12 Ω	0 280 157 002	
193	282	S	E	15°	10°	12 Ω	0 280 157 012	
217	317	S	E	15°	10°	12 Ω	0 280 155 897	
269	393	S	E	15°	10°	12 Ω	0 280 155 892	
310	453	S	E	15°	10°	12 Ω	0 280 157 000	

More than 30 versions are available on request.

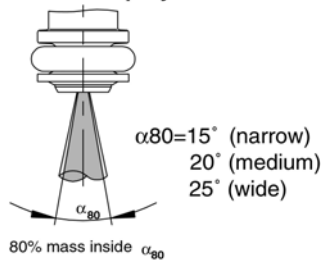
Some Examples



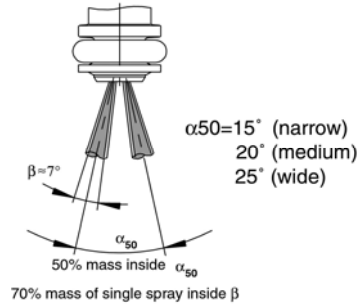
EV 12 E 0 280 155 892 EV 12 E 0 280 155 897 EV 12 E 0 280 157 000

Spray Illustration

C: Conical Spray

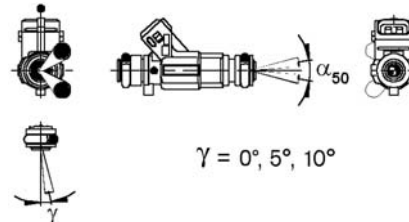
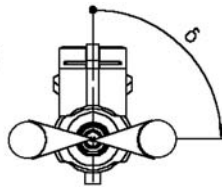


E: 2-Spray



Angle between connection and spray level ($\delta = \text{delta}$):
 (only 2-spray preparation)

$\delta = 0^\circ - 360^\circ$ possible



EV 12

