

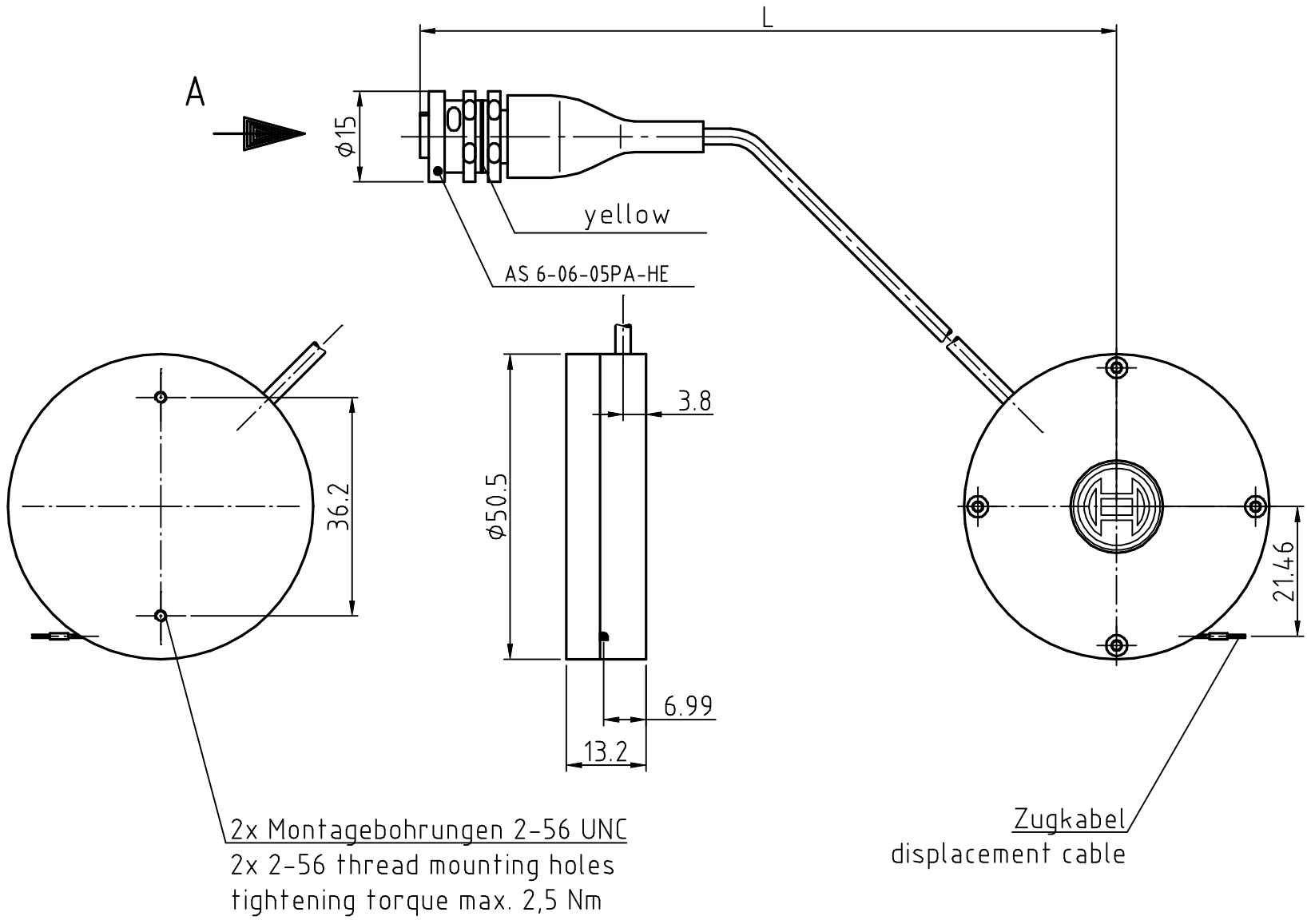
Technical Data

housing protection IP54
 temperature range -65 ... 125°C
 max. cable acceleration 8 g
 possible mech. range 127,5 mm

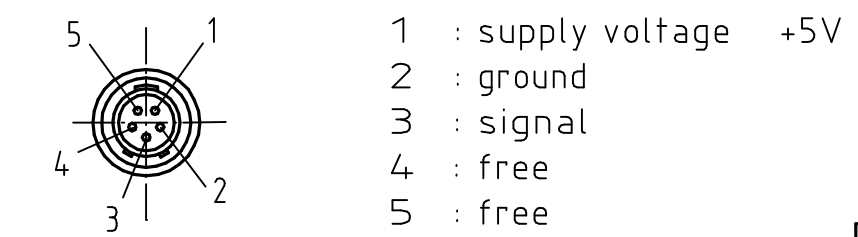
CAUTION

User, please observe the following :

1. Ensure electrical connections are performed according to the enclosed Position Transducer User's Guide
2. Do not allow the cable to snap back (freely retract). This will cause damage and void the warranty. Tension must be maintained on the cable at all times.



Ansicht A (M1:1)
view



AS 6-06-05PA-HE

		Nicht tol. Maße / NON-TOL. DIMENSIONS		ISO E		Massstab SCALE 1:1		Gewicht WEIGHT ca. 85g	
		± 0,5 mm, ± 1°						Angebotszeichnung OFFER DRAWING	
Nach außerhalb kein Umtausch / REV. DRAWING NOT DISTRIBUTED EXTERNALLY									
		Gr.St. Datum/ DATE Name/ NAME		Benennung/ TITLE					
		VOLUME gez/DWN 10.10.2001 RG		Draht Potentiometer					
		gez/CHK 11.10.2001 HI		wire potentiometer					
		ges/APP		Original: K3/MSD					
		DIN				Nr./ NO. A 261 209 545		Blatt SHEET 1	
		A3		Ers.f./ REPLACES		de/en		BI/SH	
		ACA				Ers.d./ REPLAC.BY.			

© THIS DRAWING IS THE EXCLUSIVE PROPERTY OF ROBERT BOSCH GMBH. WITHOUT THEIR CONSENT IT MAY NOT BE REPRODUCED OR GIVEN TO THIRD PARTIES.

© Alle Rechte bei Robert Bosch GmbH, auch fuer den Fall von Schutzrechtsanmeldungen. Jede Veruegungsbezugnis, wie Kopier- und Weitergaberecht, bei uns.

Weitere frendspr. Zeichnungen FURTHER FOREIGN LANGUAGE DWGS

OBSERVE INSTRUCTIONS FOR FILLING OUT N12A D11/1