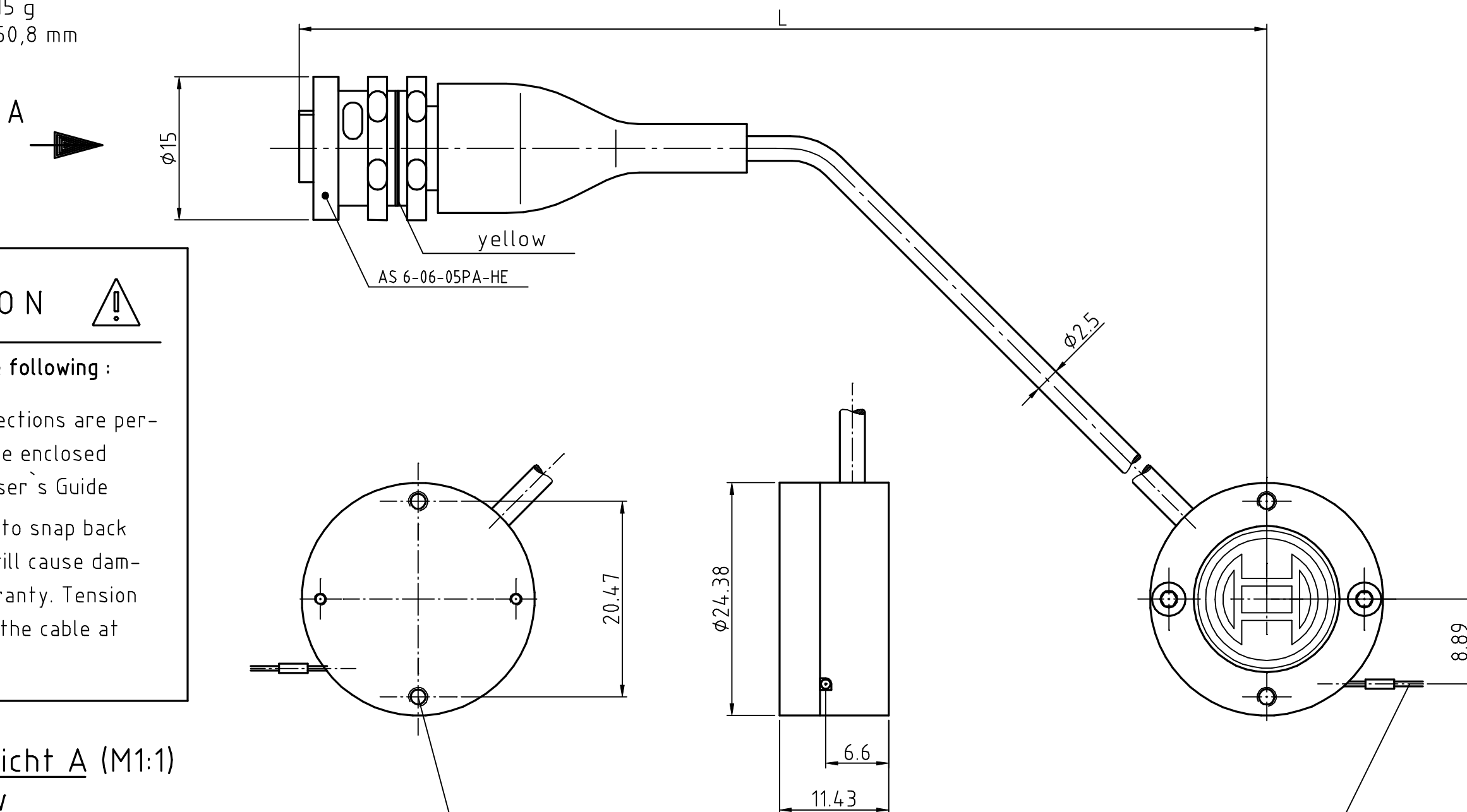


Technical Data

housing protection IP54  
 temperature range -65 ... 125°C  
 max. cable acceleration 15 g  
 possible mech. range 50,8 mm

© THIS DRAWING IS THE EXCLUSIVE PROPERTY OF ROBERT BOSCH GMBH. WITHOUT THEIR CONSENT IT MAY NOT BE REPRODUCED OR GIVEN TO THIRD PARTIES.

© Alle Rechte bei Robert Bosch GmbH, auch fuer den Fall von Schutzrechtsanmeldungen. Jede Veruegungsbezugnis, wie Kopier- und Weitergaberecht, bei uns.

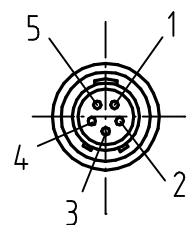


**CAUTION**

User, please observe the following :

1. Ensure electrical connections are performed according to the enclosed Position Transducer User's Guide
2. Do not allow the cable to snap back (freely retract). This will cause damage and void the warranty. Tension must be maintained on the cable at all times.

Ansicht A (M1:1)  
view



- 1 : supply voltage + 5V
- 2 : ground
- 3 : signal
- 4 : free
- 5 : free

2x Montagebohrungen 2-56 UNC  
 2x 2-56 thread mounting holes  
 tightening torque max. 2,5 Nm

AS 6-06-05PA-HE

		Nicht tol. Maße / NON-TOL. DIMENSIONS		ISO E	Massstab SCALE	2:1 (1:1)	Gewicht WEIGHT	ca. 28g
		± 0,5 mm, ± 1°					Angebotszeichnung OFFER DRAWING	
Nach auBerhalb kein Umtausch / REV. DRAWING NOT DISTRIBUTED EXTERNALLY								
		Gr.St.	Datum/ DATE	Name/ NAME	Benennung/ TITLE			
		VOLUME	10.10.2001	RG	Draht Potentiometer			
		gez/DWN	11.10.2001	HI	wire potentiometer			
		ges/CHK						
		ges/APP						
		DIN	Original: K3/MSD					
		A3			Nr./ NO.	A 261 209 542		Blatt SHEET 1
		(ACA)	Ers.f./ REPLACES .		Ers.d./ REPLAC.BY .		de/en	BI/SH

Weitere frendspr. Zeichnungen FURTHER FOREIGN LANGUAGE DWGS

OBSERVE INSTRUCTIONS FOR FILLING OUT N12A D11/1