
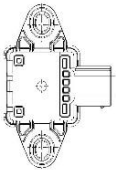
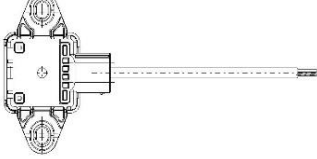
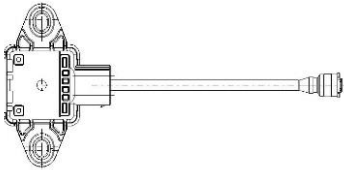


# Acceleration Sensor MM5.10

## Calibration Sheet

|   |  |
|---|--|
|  | <p>Customer:</p><br><p>Order Number:<br/>(To be filled by Bosch)</p><br><p>Date:</p> |
|---|--|

| Software parameters |                                   |      |        |
|---------------------|-----------------------------------|------|--------|
| Position            | Configuration                     |      |        |
| Low Pass Filter     | 15Hz                              | 30Hz | 60Hz   |
| CAN Baud Rate       | 500Kbaud                          |      | 1Mbaud |
| CAN Update Rate     | 100Hz                             |      | 200Hz  |
| ID1 (CAN-Message 1) | Possible values (0x000 ... 0x7FF) |      |        |
| ID2 (CAN-Message 2) | Possible values (0x000 ... 0x7FF) |      |        |
| ID3 (CAN-Message 3) | Possible values (0x000 ... 0x7FF) |      |        |

| Hardware parameters   |  |                   |
|---|--|-------------------|
| Configuration   | Drawing  | Cable length [mm] |
| Sensor without external cable or connector<br>(with integrated connector) |   |                   |
| Sensor with cable flying leads – open end                                 |  |                   |
| Sensor with external Motorsport connector ***                             |  |                   |

|  |  |
|--|--|
| <b>NEEDED PART NUMBER</b><br>(to be filled by Bosch) |  |
|--|--|

\*\*\*Standard Motorsport Connector: Deutsch ASL 6-06-05PC-HE

Please check the next page for further information concerning the CAN-Matrix and sensor signals

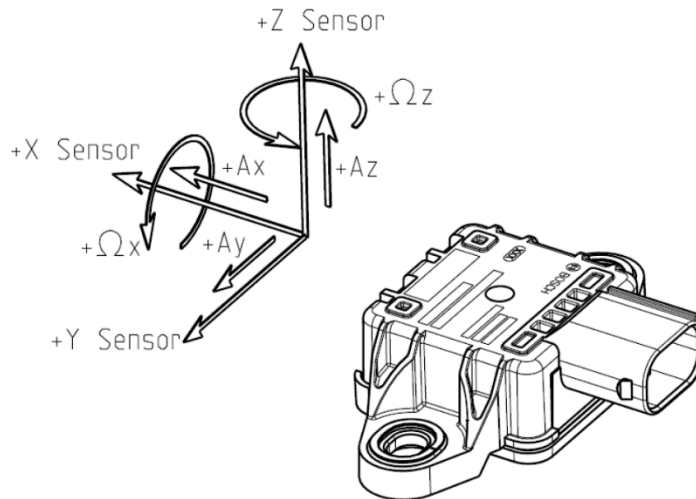
# Acceleration Sensor MM5.10

## CAN-Matrix configuration

### CAN-Matrix for Firmware with 3 CAN messages

| CAN Protocol |                         |   |          |          |                 |   |          |          |
|--------------|-------------------------|---|----------|----------|-----------------|---|----------|----------|
| Byte order   |                         |   |          |          |                 |   |          |          |
| LSB (intel)  |                         |   |          |          |                 |   |          |          |
| CAN_ID_01    |                         |   |          |          |                 |   |          |          |
| Byte         | 0                       | 1 | 2        | 3        | 4               | 5 | 6        | 7        |
| Value        | Yaw Rate ( $\Omega_z$ ) |   | reserved | reserved | Acc Y Axis (Ay) |   | reserved | reserved |
| CAN_ID_02    |                         |   |          |          |                 |   |          |          |
| Byte         | 0                       | 1 | 2        | 3        | 4               | 5 | 6        | 7        |
| Value        | Yaw Rate ( $\Omega_x$ ) |   | reserved | reserved | Acc X Axis (Ax) |   | reserved | reserved |
| CAN_ID_03    |                         |   |          |          |                 |   |          |          |
| Byte         | 0                       | 1 | 2        | 3        | 4               | 5 | 6        | 7        |
| Value        | reserved                |   | reserved | reserved | Acc Z Axis (Az) |   | reserved | reserved |

### Dimensions



**Represented by:**

**Europe:**

Bosch Engineering GmbH  
Motorsport  
Robert-Bosch-Allee 1  
74232 Abstatt  
Germany  
Tel.: +49 7062 911 9101  
Fax: +49 7062 911 79104  
motorsport@bosch.com  
www.bosch-motorsport.de

**North America:**

Bosch Engineering North America  
Motorsport  
38000 Hills Tech Drive  
Farmington Hills, MI 48331-3417  
United States of America  
Tel.: +1 248 876 2977  
Fax: +1 248 876 7373  
motorsport@bosch.com  
www.bosch-motorsport.com

**Latin America:**

Robert Bosch Ltda  
Motorsport  
Av Juscelino Kubitscheck de  
Oliveira 11800  
Zip code 81460-900  
Curitiba - Parana  
Brasilia  
Tel.: +55 41 3341 2057  
Fax: +55 41 3341 2779

**Asia-Pacific:**

Bosch Engineering Japan K.K.  
Motorsport  
18F Queen's Tower C, 2-3-5 Minato  
Mirai  
Nishi-ku, Yokohama-shi  
Kanagawa 220-6218  
Japan  
Tel.: +81 45 650 5610  
Fax: +81 45 650 5611  
www.bosch-motorsport.jp

**Australia, New Zealand and South Africa:**

Robert Bosch Pty. Ltd  
Motorsport  
1555 Centre Road  
Clayton, Victoria, 3168  
Australia  
Tel.: +61 (3) 9541 3901  
motor.sport@au.bosch.com