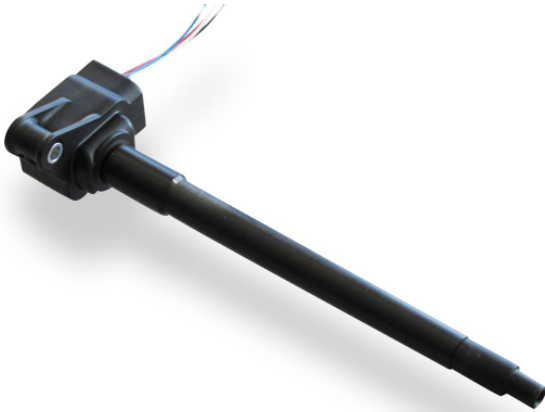


# Ignition Coil C90i-E8



This single fire coil was developed for the use e.g. in GDI (turbocharged) high performance engines. It is designed for direct cylinder head mounting. For this single fire coil the customer can define the length of the spark plug connector. The main benefits of this high performance coil are its high energy capability and a very good provided high voltage.

## Application

Spark energy	≤ 90 mJ
Primary current	≤ 16 A
Operating temperature range outer core	0 to 160°C
Storage temperature range	-40 to 100°C
Max. vibration	≤ 480 m/s <sup>2</sup> at 50 to 2,000 Hz

## Technical Specifications

### Mechanical Data

Length	80 to 225 mm, depending on customer requirements
Weight w/o wire	< 270 g
Mounting	Screw fastening
Fits to spark plugs with a ceramic diameter of 8 mm	

### Electrical Data

Primary resistance	185 mOhm
Secondary resistance	Incapable of measurement
High voltage rise time	≤ 5.0 kV/μs
Max. high voltage at 1 MOhm    10 pF	≤ 40 kV

- ▶ Max. 40 kV
- ▶ Max. 90 mJ
- ▶ Max. 5.0 kV/μs
- ▶ Max. 15,000 1/min
- ▶ Fits to spark plugs with a ceramic diameter of 8 mm

Spark current	≤ 160 mA
Spark duration at 1 kV    1 MOhm	≤ 1.1 ms
Noise suppression	Inductive and 1 kOhm resistance
Suppression diode / EFU	Internal

### Characteristic

Measured with power stage	IGBT IRG4BC40S (U <sub>ce</sub> =600 V)
---------------------------	---

### Connectors and Wires

Connector	On request
Mating connector	On request
Pin 1	U <sub>batt</sub> red
Pin 2	ECU ignition power stage blue
Pin 3	Engine GND black
Pin 4	Ionic current signal white
Wire length	100 cm
Wire size	AWG 20/22

Various motorsport and automotive connectors are available on request.

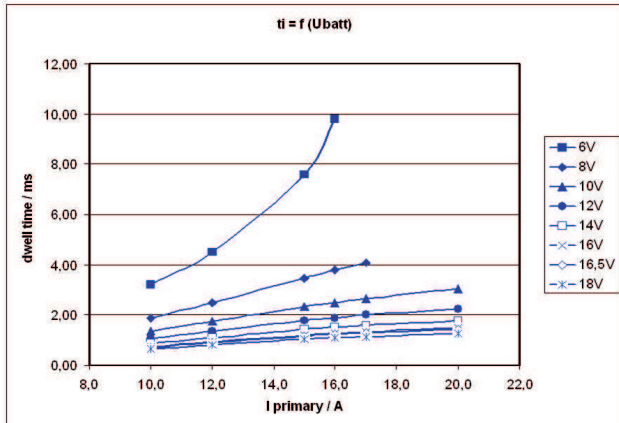
Please specify the required wire length and the length of the spark plug connector with your order

### Characteristic dwell times [ms]

U <sub>batt</sub>	I <sub>primary</sub>					
	10 A	12 A	15 A	16 A	17 A	20 A
6 V	3.2	4.5	7.6	9.8		
8 V	1.88	2.49	3.47	3.79	4.10	
10 V	1.35	1.76	2.34	2.51	2.67	3.05

<b>12 V</b>	1.06	1.35	1.77	1.89	2.00	2.24
<b>14 V</b>	0.87	1.11	1.43	1.52	1.60	1.79
<b>16 V</b>	0.74	0.93	1.20	1.28	1.34	1.49
<b>16.5 V</b>	0.71	0.90	1.15	1.23	1.29	1.43
<b>V</b>						
<b>18 V</b>	0.64	0.81	1.03	1.10	1.15	1.27

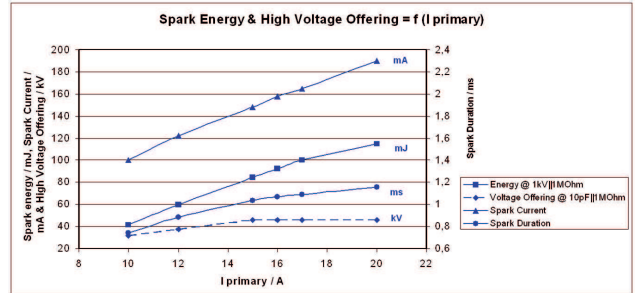
Measured values are without loom resistance. Loom resistance must be less than the primary resistance. The needed dwell time is to be verified through current measurement



Dwell time

**Spark energy and provided high voltage**

I prim.	Spark energy	-duration	-current	Hi voltage
10 A	41.4 mJ	0.74 ms	100 mA	31.6 kV
12 A	59.5 mJ	0.882 ms	122 mA	37.4 kV
15 A	84.4 mJ	1.034 ms	148 mA	45.7 kV
16 A	92.6 mJ	1.07 ms	158 mA	46 kV
17 A	100 mJ	1.09 ms	165 mA	46 kV
20 A	115 mJ	1.16 ms	190 mA	46 kV



Spark energy

**Installation Notes**

During mounting of the spark plug please pay attention that full clamping and proper contacts are made to ensure safe connection between coil and spark plug.

This coil is only for use with engine control units having an integrated ignition power stage, e.g. IGBT IRG4BC40S or BIP.

For technical reasons the values of the coils may vary.

Please regard the specified limit values (see "Electrical Data").

Usage above Iprim = 16 A or 40 kV may reduce the lifetime.

Please find further application hints in the offer drawing at our homepage.

In case of ignition-caused malfunctions, please use screened sensor wires.

**Design Note**

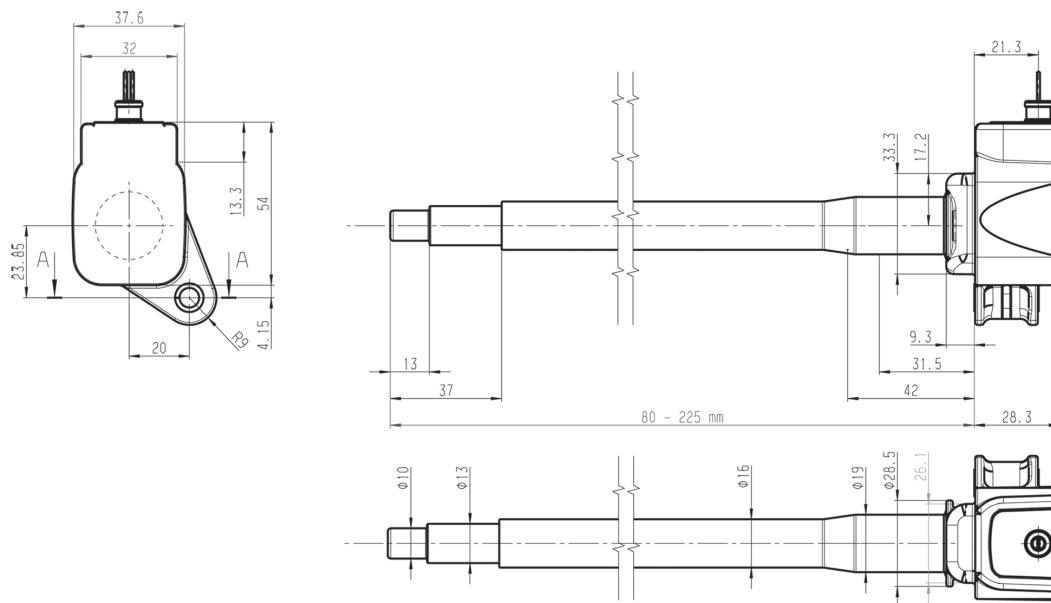
We strongly recommend the design of the spark plug shaft has to ensure that there are no sharp edges in the shaft geometry due to design or machining. Only in compliance with this recommendation, a proper function can be ensured.

**Ordering Information**

**Ignition Coil C90i-E8**

Order number depending on customer requirements

Dimensions



Represented by:

**Europe:**  
 Bosch Engineering GmbH  
 Motorsport  
 Robert-Bosch-Allee 1  
 74232 Abstatt  
 Germany  
 Tel.: +49 7062 911 9101  
 Fax: +49 7062 911 79104  
 motorsport@bosch.com  
 www.bosch-motorsport.de

**North America:**  
 Bosch Engineering North America  
 Motorsport  
 38000 Hills Tech Drive  
 Farmington Hills, MI 48331-3417  
 United States of America  
 Tel.: +1 248 876 2977  
 Fax: +1 248 876 7373  
 motorsport@bosch.com  
 www.bosch-motorsport.com

**Asia-Pacific:**  
 Bosch Engineering Japan K.K.  
 Motorsport  
 18F Queen's Tower C, 2-3-5 Minato  
 Mirai Nishi-ku, Yokohama-shi  
 Kanagawa 220-6218  
 Japan  
 Tel.: +81 45 650 5610  
 Fax: +81 45 650 5611  
 www.bosch-motorsport.jp

**Australia, New Zealand and South Africa:**  
 Robert Bosch Pty. Ltd  
 Motorsport  
 1555 Centre Road  
 Clayton, Victoria, 3168  
 Australia  
 Tel.: +61 (3) 9541 3901  
 motor.sport@au.bosch.com