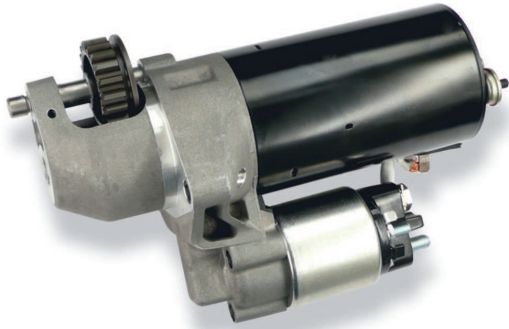


Starter 1.7 kW



- ▶ 1.7 kW
- ▶ 3,600 x 1/min

This starter is specially constructed for motorsport demand. It is a pre-engaged drive starter; we offer it in counterclockwise version. Further special versions on request.

Application

Max. temperature	150°C
Vibration	High protection

Technical Specifications

Mechanical Data

Weight	3,700 g
Revolutions	3,600 x 1/min
Module	2,11
Direction of rotation	Counterclockwise
Internal gear ratio i	4.364 or 5.0

Electrical Data

Performance	1.7 kW
-------------	--------

Installation Notes

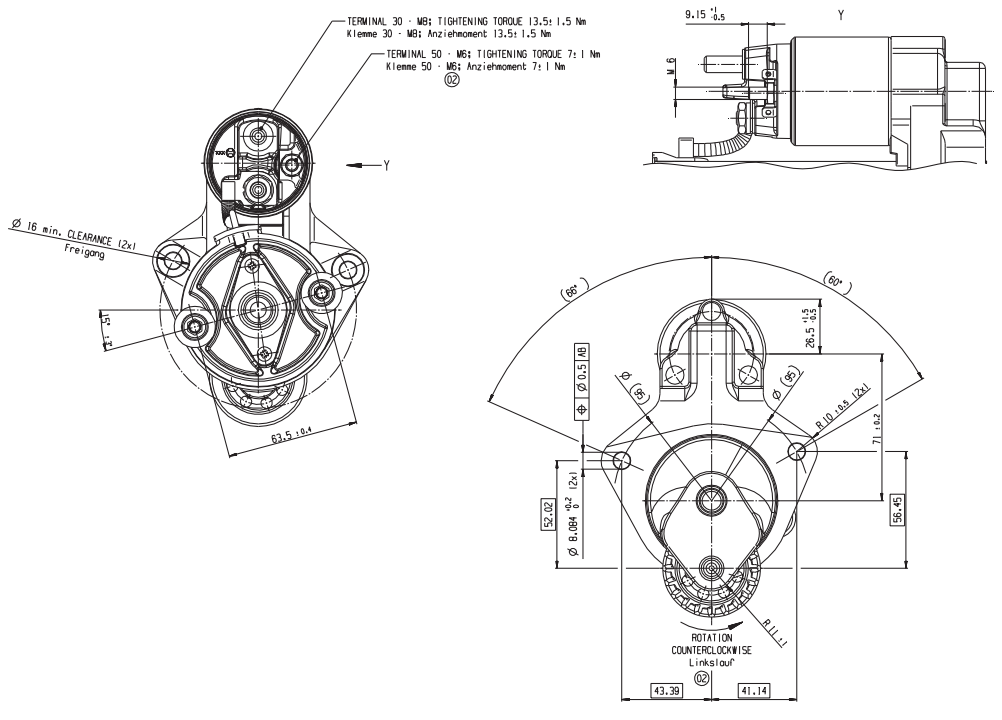
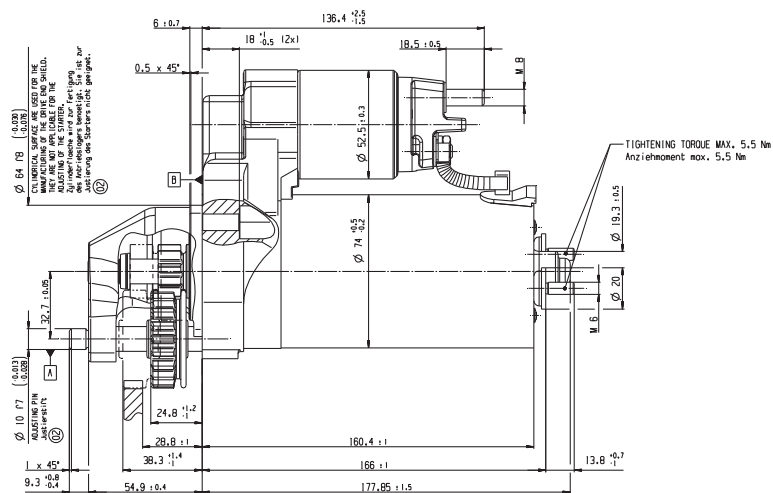
Typical lifetime before service: max. 6,000 km / 30 h
 For application with severe conditions and/or high volume, please contact your Bosch Motorsport counterpart in order to define the most appropriate validation program.

Ordering Information

Starter 1.7 kW
 Internal gear ratio $i = 4.364$
 Order number **F02U.V02.970-01**

Starter 1.7 kW
 Internal gear ratio $i = 5.0$
 Order number **F02U.V02.971-01**

Dimensions



Represented by:

Europe:
 Bosch Engineering GmbH
 Motorsport
 Robert-Bosch-Allee 1
 74232 Abstatt
 Germany
 Tel.: +49 7062 911 9101
 Fax: +49 7062 911 79104
 motorsport@bosch.com
 www.bosch-motorsport.de

North America:
 Bosch Engineering North America
 Motorsport
 38000 Hills Tech Drive
 Farmington Hills, MI 48331-3417
 United States of America
 Tel.: +1 248 876 2977
 Fax: +1 248 876 7373
 motorsport@bosch.com
 www.bosch-motorsport.com

Asia-Pacific:
 Bosch Engineering Japan K.K.
 Motorsport
 18F Queen's Tower C, 2-3-5 Minato
 Mirai Nishi-ku, Yokohama-shi
 Kanagawa 220-6218
 Japan
 Tel.: +81 45 650 5610
 Fax: +81 45 650 5611
 www.bosch-motorsport.jp

Australia, New Zealand and South Africa:
 Robert Bosch Pty. Ltd
 Motorsport
 1555 Centre Road
 Clayton, Victoria, 3168
 Australia
 Tel.: +61 (3) 9541 3901
 motor.sport@au.bosch.com