

# Pressure Sensor Fluid PSS-10



- ▶ Application: 1 to 11 bar
- ▶ Response time: 1.5 ms
- ▶ Pressure reference type: Absolut
- ▶ Power supply: 5 V
- ▶ Weight: 45 g

This sensor is designed to measure absolute pressure of various kinds of media e.g. Diesel, gasoline, water, engine oil, transmission oil or air.

The sensor uses stainless steel measuring cells with piezo-resistive measuring bridges in thin layer technique. These are hermetically welded together with stainless steel pressure ports. This guarantees a complete media compatibility.

The main benefit of this sensor is the high quality of a production part at a low price.

## Application

Application	1 to 11 bar (a)
Pressure reference type	absolute
Max. pressure	20 bar
Operating temp. range	-40 to 125°C (140°C)
Media temp. range	-40 to 125°C (140°C)
Storage temp. range	-20 to 50°C
Bio fuel compatibility	E 85 / M 100
Max. vibration	100 m/s <sup>2</sup> rms at 10 to 2,000 Hz

## Technical Specifications

### Mechanical Data

Male thread	M10x1
Wrench size	17 mm
Installation torque	15 Nm
Weight w/o wire	45 g
Sealing	O-ring 7.65 x 1.63 mm

### Electrical Data

Power supply $U_s$	4.75 to 5.25 V
Max power supply $U_s$ max	± 30 V
Full scale output $U_A$	10 to 90 % $U_s$ ratiometric
Current $I_s$	8 mA

### Characteristic

Response time T10/90	1.5 ms
Compensated range	0 to 90°C
Tolerance (FS) at $U_s = 5$ V	± 0.1 bar
Tolerance (FS)	± 1 %
Sensitivity	400 mV/bar at $U_s = 5$ V
Offset	100 mV at $U_s = 5$ V

### Connectors and Wires

Connector	Bosch Compact
Mating connector	3-pole Compact D261.205.339-01
Pin 1	Gnd
Pin 2	Sig
Pin 3	$U_s$
Pin 4	-
Pin 5	-

### Installation Notes

The PSS-10 can be connected directly to most control units.

The sensor has a protection for over voltage, reverse polarity and short-circuit.

Please do not fix the sensor directly to the engine block to avoid undesired strong vibrations.

Each mounting orientation is possible.

The sensor meets all EMV, EMC and ESD automotive standards.

Please find further application hints in the offer drawing and free download of the sensor configuration file (\*.sdf) for the Bosch Data Logging System at our homepage.

### Safety Note

The sensor is not intended to be used for safety related applications without appropriate measures for signal validation in the application system.

### Legal Restrictions

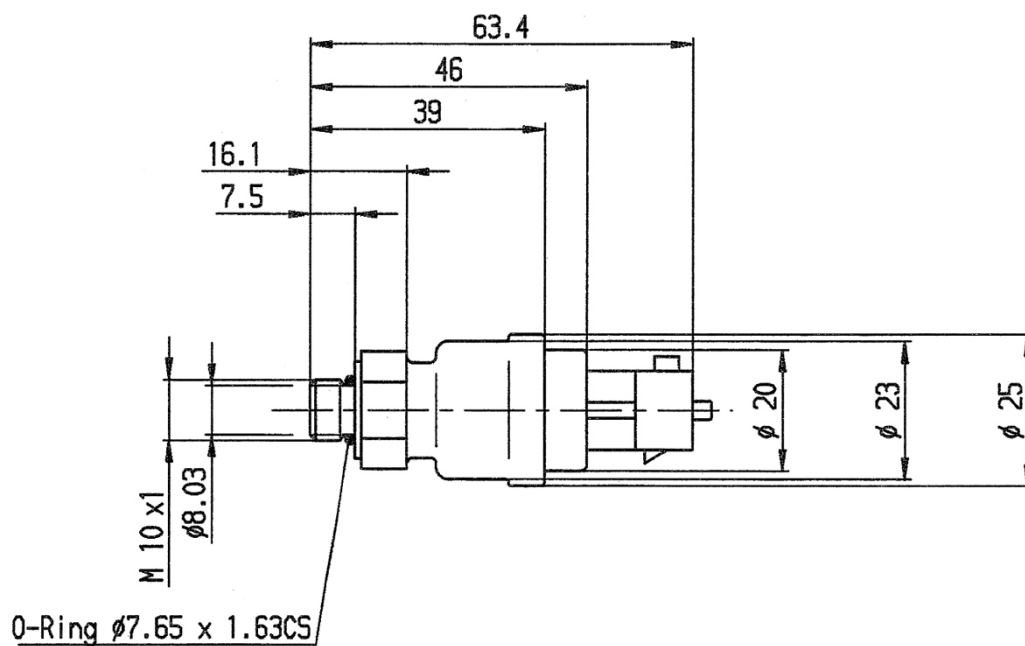
Due to embargo restrictions, sale of this product in Russia, Belarus, Iran, Syria, and North Korea is prohibited.

### Ordering Information

#### Pressure Sensor Fluid PSS-10

Order number **B261.209.341-01**

### Dimensions



#### Represented by:

**Europe:**  
Bosch Engineering GmbH  
Motorsport  
Robert-Bosch-Allee 1  
74232 Abstatt  
Germany  
Tel.: +49 7062 911 9101  
Fax: +49 7062 911 79104  
motorsport@bosch.com  
www.bosch-motorsport.de

**North America:**  
Bosch Engineering North America  
Motorsport  
38000 Hills Tech Drive  
Farmington Hills, MI 48331-3417  
United States of America  
Tel.: +1 248 876 2977  
Fax: +1 248 876 7373  
motorsport@bosch.com  
www.bosch-motorsport.com

**Asia-Pacific:**  
Bosch Engineering Japan K.K.  
Motorsports Department  
1-9-32 Nakagawa Chuo, Tsuzuki-ku  
Yokohama City  
Kanagawa Prefecture 224-8601  
Japan  
Tel.: +81 45 605 3032  
Fax: +81 45 605 3059  
www.bosch-motorsport.jp

**Australia, New Zealand and South Africa:**  
Robert Bosch Pty. Ltd  
Motorsport  
1555 Centre Road  
Clayton, Victoria, 3168  
Australia  
Tel.: +61 (3) 9541 3901  
motor.sport@au.bosch.com