

Pressure Sensor Combined PST-F 2 280 bar



- ▶ Pressure: 0 to 280 bar
- ▶ Temperature: -40 to 140°C
- ▶ Power supply: 5 V
- ▶ Weight: 36 g

This sensor is designed to measure absolute gasoline pressure and gasoline temperature in direct injection systems.

The pressure measurement is based on the expansion of a steel diaphragm, where strain gauges are placed to a Wheatstone bridge. The measured signal is proportional to the pressure and is processed in an application specific integrated circuit.

The temperature measurement is conducted by an NTC thermistor. The main feature of this sensor is its compact design and the integration of two functions (temperature and pressure measurements) in a common housing.

Application

Application 1	0 to 280 bar
Reference	Absolute
Max. pressure	340 bar
Application 2	-40 to 140°C
Resistance at 25°C	10 kOhm
Operating temp. range	-40 to 140°C
Media temp. range	-40 to 140°C
Storage temp. range	-40 to 60°C
Biofuel compatibility	E26, E85
Max. vibration	210 m/s ² RMS at 147 to 1,350 Hz 175 m/s ² RMS at 1,350 to 2,000 Hz

Technical Specifications

Mechanical Data

Male thread	M10x1
-------------	-------

Weight without wire	36 g
Wrench size	27 mm
Installation torque	37.5 ± 2.5 Nm
Sealing	Sealed cone

Electrical Data

Power supply U_s	4.75 to 5.25 V
Max power supply U_s max	16 V (18 V for max. 1 h)
Full scale output U_A	0.5 to 4.5 V U_s ratiometric
Current I_s	12 mA

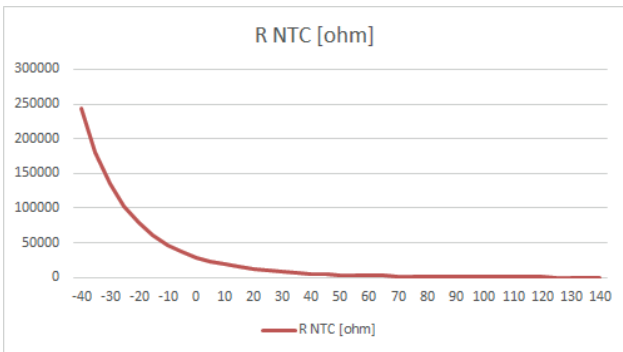
Characteristic 1

Response time T10/90	Pressure: 0.2 to 0.8 ms Temperature: 9 s (response time of temperature signal in oil dip bath 20 to 100°C)
Compensated range	-40 to 130°C
Tolerance (FS) at U_s	+/- 1 % at 0 to 100°C +/- 1.5 % at -40 to 0°C and 100 to 130°C
Sensitivity at $U_s = 5$ V	14.3 mV/bar
Offset	500 mV at $U_s = 5$ V

Characteristic 2

T [°C]	R [Ohm]
-40	243,241
-30	135,753
-20	78,716
-10	47,258
0	29,287
10	18,684

20	12,240
25	10,000
30	8,218
40	5,642
50	3,955
60	2,826
70	2,055
80	1,519
90	1,141
100	868.4
110	669.9
120	523.2
130	413.3
140	330.0



Connectors and Wires

Connector	Hirschmann
-----------	------------

Mating connector	F02U.B00.596-01
Pin 1	Ground
Pin 2	Pressure Signal
Pin 3	Temperature Signal
Pin 4	Power Supply
Various motorsport and automotive connectors are available on request.	

Installation Notes

The sensor can be connected directly to most control units.
 For temperature measurement please use a pull-up resistor with an optimal value of 4.6 kOhm.
 The sensor has a protection for overvoltage, reverse polarity and short-circuit.
 Please find further application hints in the offer drawing and free download of the sensor configuration file (*.sdf) for the Bosch Data Logging System at our homepage.

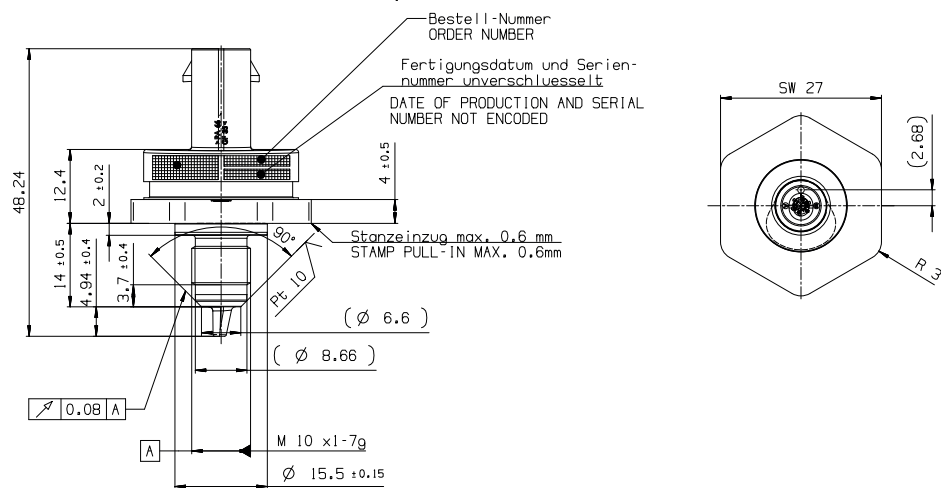
Safety Note

The sensor is not intended to be used for safety related applications without appropriate measures for signal validation in the application system.

Ordering Information

Pressure Sensor Combined PST-F 2 280 bar
 Order number **0261.545.115**

Dimensions



Represented by:

Europe:
 Bosch Engineering GmbH
 Motorsport
 Robert-Bosch-Allee 1
 74232 Abstatt
 Germany
 Tel.: +49 7062 911 9101
 Fax: +49 7062 911 79104
 motorsport@bosch.com
 www.bosch-motorsport.de

North America:
 Bosch Engineering North America
 Motorsport
 38000 Hills Tech Drive
 Farmington Hills, MI 48331-3417
 United States of America
 Tel.: +1 248 876 2977
 Fax: +1 248 876 7373
 motorsport@bosch.com
 www.bosch-motorsport.com

Asia-Pacific:
 Bosch Engineering Japan K.K.
 Motorsport
 18F Queen's Tower C, 2-3-5 Minato
 Mirai Nishi-ku, Yokohama-shi
 Kanagawa 220-6218
 Japan
 Tel.: +81 45 650 5610
 Fax: +81 45 650 5611
 www.bosch-motorsport.jp

Australia, New Zealand and South Africa:
 Robert Bosch Pty. Ltd
 Motorsport
 1555 Centre Road
 Clayton, Victoria, 3168
 Australia
 Tel.: +61 (3) 9541 3901
 motor.sport@au.bosch.com