

Data Logger C 70



The data logger C 70 integrates a programmable data logging system for motorsport applications for a very competitive price. Additional input devices can be connected via Ethernet and CAN buses. Data Analysis Software WinDarab is available free of charge as “WinDarab V7 free” on our website. The logger can be upgraded to a 2nd logging partition of 1 GB (e.g. for long term recording). For quick data transfer from the car e.g. during pit stop, data copy to a USB stick is available as an option. The stick is connected to the wiring harness for the C 70. The device comes with 4 analogue and 4 speed inputs as standard; further 12 analogue inputs are available as optional upgrade.

Application

Processor	667 MHz Dual Core
Converters	8 kHz AD converters with digital low pass filter
Internal power source	Li/Ion capacitor
Configurable math channels	
User configurable CAN in/out messages	
Sampling rate	Max. 1 ms
Online data compression	
Logging rate	Max. 600 kB/s
Recording channels	1,040
Logged data download speed	Max. 1,000 kB/s
Internal storage capacity	3 GB (standard), plus 1 GB (optional)
LTE Ethernet telemetry support, GSM telemetry support	
RS232 for GPS and telemetry	

- ▶ Cutting-edge 667 MHz Dual Core Processor
- ▶ Recording on USB flash drive (opt.)
- ▶ Supports GPS lap trigger, pre-dated lap time etc.
- ▶ High programming flexibility using mathematical functions and conditional channels

CCP-Master, data acquisition from ECU that support CAN calibration protocol (optional)

Technical Specifications

Mechanical Data

Size	151 x 126 x 25.5 mm
Weight	450 g
Protection Classification	IP54 to DIN 40050, Section 9, Issue 2008
Operating temperature internal	-20 to 85°C
Max. vibration	Vibration profile 1 (see Appendix or www.bosch-motorsport.com)

Electrical Data

Supply voltage	5 to 18 V
----------------	-----------

Inputs

Analog channels	4 standard, additional 12 optional
Input range	0 to 5 V
Resolution	12 bit
Switchable pull up resistor	For all ANA_IN
Wheel speed inputs	4 Hall-effect or DF11, switchable

Outputs

Sensor supply 5 V ± 1 % (250 mA)	2
Sensor supply 10 V ± 1 % (250 mA)	1
Sensor supply U_Bat 250 mA	1

Sensor ground	4
Environment	
USB Kit	Rugged USB flash drive Bosch File System (BFS) format included, works with Bosch File System (BFS) preformatted USB Flash drive only Adapter cable to USB-Port Adapter for wiring harness SW license USB-Port unlocked
CCP_MASTER	CCP-Master (ASAP2 file from ECU manufacturer required)
FULL_LOG_2	Enable full logging performance of 1 GB partition 2
I_O_EXTENS	Enable additional 12 analog input channels

Connectors and Wires

Motorsport connector on logger	AS216-35PN
Mating connector AS616-35SN	F02U.000.466-01

Pin Configuration

Pin	Name	Comment	Status
1	KL_31		Incl.
2	KL_15		Incl.
3	KL_30		Incl.
4	Rev_In_3	Hall or DF11 switchable	Incl.
5	Rev_In_1	Hall or DF11 switchable	Incl.
6	KL_31		Incl.
7	CAN_2_L	CAN speed selectable	Incl.
8	Ethernet_2_TXP		Incl.
9	Ethernet_2_TXN		Incl.
10	Sens_Power_12V	over current protected	Incl.
11	Rev_In_4	Hall or DF11 switchable	Incl.
12	Rev_In_2	Hall or DF11 switchable	Incl.
13	Laptrigger_In		Incl.
14	CAN_2_H	CAN speed selectable	Incl.
15	CAN_1_H	CAN speed selectable	Incl.
16	Ethernet_2_RXP		Incl.
17	Sens_Gnd_4	fused	Incl.
18	Sens_Power 5V	over current protected	Incl.
19	ANA_IN_3	3.01 kOhm switchable	Incl.
20	ANA_IN_4	3.01 kOhm switchable	Incl.

Pin	Name	Comment	Status
21	Time_Sync	connection to Bosch ECU	Incl.
22	CAN_1_L	CAN speed selectable	Incl.
23	Com_screen	Ethernet and USB screen	Incl.
24	Ethernet_2_RXN		Incl.
25	Sens_Gnd_3	fused	Incl.
26	Sens_Power 5V	over current protected	Incl.
27	ANA_IN_7	3.01 kOhm switchable	Opt.
28	ANA_IN_1	3.01 kOhm switchable	Incl.
29	USB_Device_DP	to Bosch USB stick	Opt.
30	RS232_TX_Telemetry		Incl.
31	Ethernet_1_TXP		Incl.
32	Sens_Gnd_2	fused	Incl.
33	Sens_Power_10V	over current protected	Incl.
34	ANA_IN_8	3.01 kOhm switchable	Opt.
35	ANA_IN_10	3.01 kOhm switchable	Opt.
36	USB_Device_Gnd	to Bosch USB stick	Opt.
37	USB_Device_DN	to Bosch USB stick	Opt.
38	RS232_RX_Telemetry	e.g. GSM telemetry	Incl.
39	Ethernet_1_TXN		Incl.
40	Sens_Gnd_1	fused	Incl.
41	ANA_IN_11	3.01 kOhm switchable	Opt.
42	ANA_IN_9	3.01 kOhm switchable	Opt.
43	RS232_TX_GPS		Incl.
44	ANA_IN_16	3.01 kOhm switchable	Opt.
45	USB_Device_Power	to Bosch USB stick	Opt.
46	Ethernet_1_RXP		Incl.
47	ANA_IN_12	3.01 kOhm switchable	Opt.
48	ANA_IN_6	3.01 kOhm switchable	Opt.
49	ANA_IN_2	3.01 kOhm switchable	Incl.
50	ANA_IN_13	3.01 kOhm switchable	Opt.
51	ANA_IN_15	3.01 kOhm switchable	Opt.
52	Ethernet_1_RXN		Incl.
53	ANA_IN_5	3.01 kOhm switchable	Opt.
54	RS232_RX_GPS	for GPS sensor input	Incl.
55	ANA_IN_14	3.01 kOhm switchable	Opt.

Communication

CAN interfaces	2
Ethernet 100BaseT	2
Laptrigger input	1
RS232	Telemetry, GPS
Configuration via RaceCon	Over Ethernet or MSA-Box II

Installation Notes

Inspection services recommended after 220 h or 2 years, no components to replace.

Ordering Information

Data Logger C 70

Order number **F02U.V02.302-01**

Software Options

CCP_MASTER

Order number **F02U.V02.213-01**

FULL_LOG_2

Order number **F02U.V02.305-01**

I_O EXTENS

Order number **F02U.V02.205-01**

Accessories

Vehicle Loom Basic

Order number **F02U.V02.735-01**

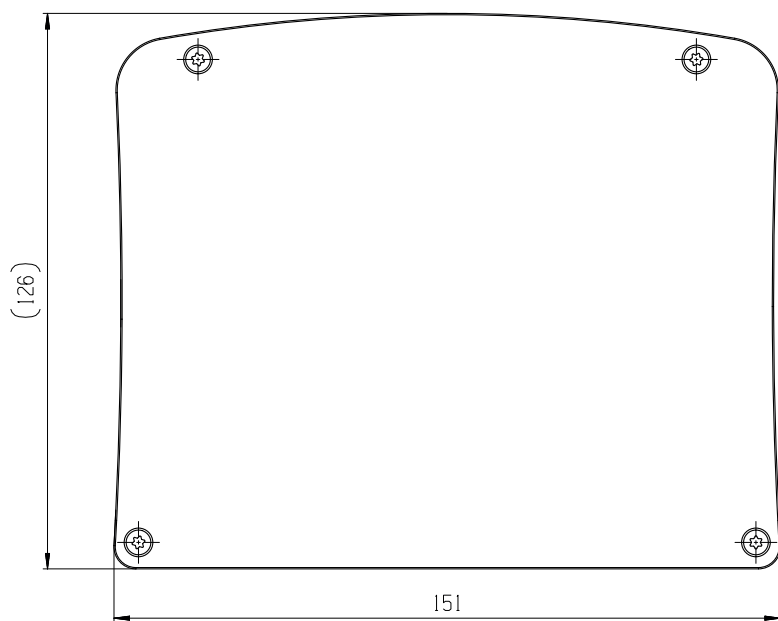
Bench Loom

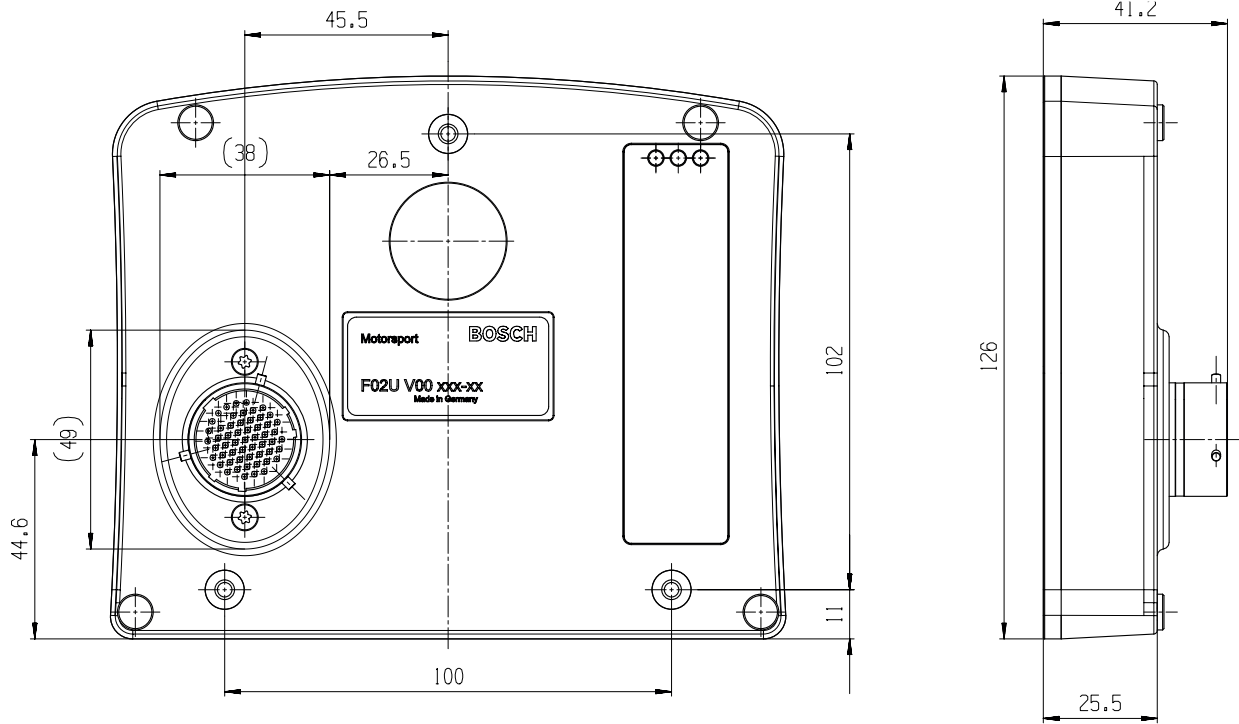
Order number **F02U.V02.349-01**

USB Kit for C 70, C 80, DDU 9, DDU 10 and VCU

Order number **F02U.V02.214-01**

Dimensions





Represented by:

Europe:
 Bosch Engineering GmbH
 Motorsport
 Robert-Bosch-Allee 1
 74232 Abstatt
 Germany
 Tel.: +49 7062 911 9101
 Fax: +49 7062 911 79104
 motorsport@bosch.com
 www.bosch-motorsport.de

North America:
 Bosch Engineering North America
 Motorsport
 38000 Hills Tech Drive
 Farmington Hills, MI 48331-3417
 United States of America
 Tel.: +1 248 876 2977
 Fax: +1 248 876 7373
 motorsport@bosch.com
 www.bosch-motorsport.com

Asia-Pacific:
 Bosch Engineering Japan K.K.
 Motorsport
 18F Queen's Tower C, 2-3-5 Minato
 Mirai Nishi-ku, Yokohama-shi
 Kanagawa 220-6218
 Japan
 Tel.: +81 45 650 5610
 Fax: +81 45 650 5611
 www.bosch-motorsport.jp

Australia, New Zealand and South Africa:
 Robert Bosch Pty. Ltd
 Motorsport
 1555 Centre Road
 Clayton, Victoria, 3168
 Australia
 Tel.: +61 (3) 9541 3901
 motor.sport@au.bosch.com