

Telemetry Modem LTE65-US



The LTE 65US is a 4G-LTE based telemetry modem designed for real time telemetry data transfer on racetrack for use within the USA and Canada. The combination of LTE 65US with RaceConnect cloud provides a highly flexible telemetry data distribution platform, where one transmitter can send to many receivers and many transmitters can send to one receiver. The usage of 4G-LTE cellular service allows for Plug & Play operation with minimal setup. The system has been validated on Bosch displays, ECUs and loggers; however, 3rd party loggers may also be used.

Application

Data interface	RS232 or Ethernet
Max. transmit rate	2 Mbps
Max. receive rate	5 Mbps
Max. receive streams	10
Ethernet	100 BaseT
RS232 baud rates	19.2, 57.6 and 115.2 kB/sec
Display	3 LEDs for device status
Configuration	Bosch RaceConnect website

Technical Specifications

Mechanical Data

Size	114 x 65.5 x 22 mm
Weight	171 g
Protection classification	IP67
Operating temperature ambient	-30 to 65°C

- ▶ 4G-LTE connectivity (3G fallback)
- ▶ No infrastructure setup required, built-in SIM card
- ▶ Data can be sent/received anywhere 4G or 3G cellular service is available
- ▶ Easy configuration at the Bosch RaceConnect website
- ▶ Cellular priority (USA only)

Storage temperature	-30 to 85°C
Max. vibration	Vibration Profile 1 (see www.bosch-motorsport.com)

Electrical Data

Supply voltage range	8 to 18 V
	24 V operation possible on agreement with customer
Max. power consumption	6 W
Antenna impedance	50 Ohm
Antenna max. gain	5.78 dBi

Connectors and Wires

Connector on device	ASDD006-09PN
Mating connector	ASDD606-09SN

Pin Configuration

1	Battery plus
2	RS232 Rx
3	Reset
4	RS232 Tx
5	Battery negative
6	Eth RX+
7	Eth RX-
8	Eth TX+
9	Eth TX-

Ordering Information

Telemetry Modem LTE65-US

Subscription required, antenna not included
Order number **on request**

Modem + Racer SubscriptionOrder number **F02U.V0U.417-01**

Modem + Pro SubscriptionOrder number **F02U.V0U.418-01**

Modem + Pro-High SubscriptionOrder number **F02U.V0U.419-01**

Basic Kit Racer - GT

2 Modems + 2 Racer Subscriptions + GT Car Antenna + Pit Antenna + Pit Harness

Order number **F02U.V0U.420-01**

Basic Kit Pro - GT

2 Modems + 2 Pro Subscriptions + GT Car Antenna + Pit Antenna + Pit Harness

Order number **F02U.V0U.421-01**

Basic Kit Pro High - GT

2 Modems + 2 Pro High Subscriptions + GT Car Antenna + Pit Antenna + Pit Harness

Order number **F02U.V0U.422-01**

Basic Kit Racer - Open Wheel

2 Modems + 2 Racer Subscriptions + 2 Open Wheel Car Antennas + Pit Antenna + Pit Harness

Order number **F02U.V0U.426-01**

Basic Kit Pro - Open Wheel

2 Modems + 2 Pro Subscriptions + 2 Open Wheel Car Antennas + Pit Antenna + Pit Harness

Order number **F02U.V0U.427-01**

Basic Kit Pro High - Open Wheel

2 Modems + 2 Pro High Subscriptions + 2 Open Wheel Car Antennas + Pit Antenna + Pit Harness

Order number **F02U.V0U.428-01**

Software Options

Racer Subscription (1 year)

500 MB / 20 hours per month

Order number **F02U.V0U.355-01**

Pro Subscription (1 year)

2 GB / 60 hours per month

Order number **F02U.V0U.357-01**

Pro-High Subscription (1 year)

10 GB / 100 hours per month

Order number **F02U.V0U.358-01**

Accessories

Car Antenna - GT

Quantity 1 required per modem

Order number **F02U.00U.054-01**

Car Antenna - Open Wheel

Quantity 2 required per modem

Order number **F02U.00U.069-01**

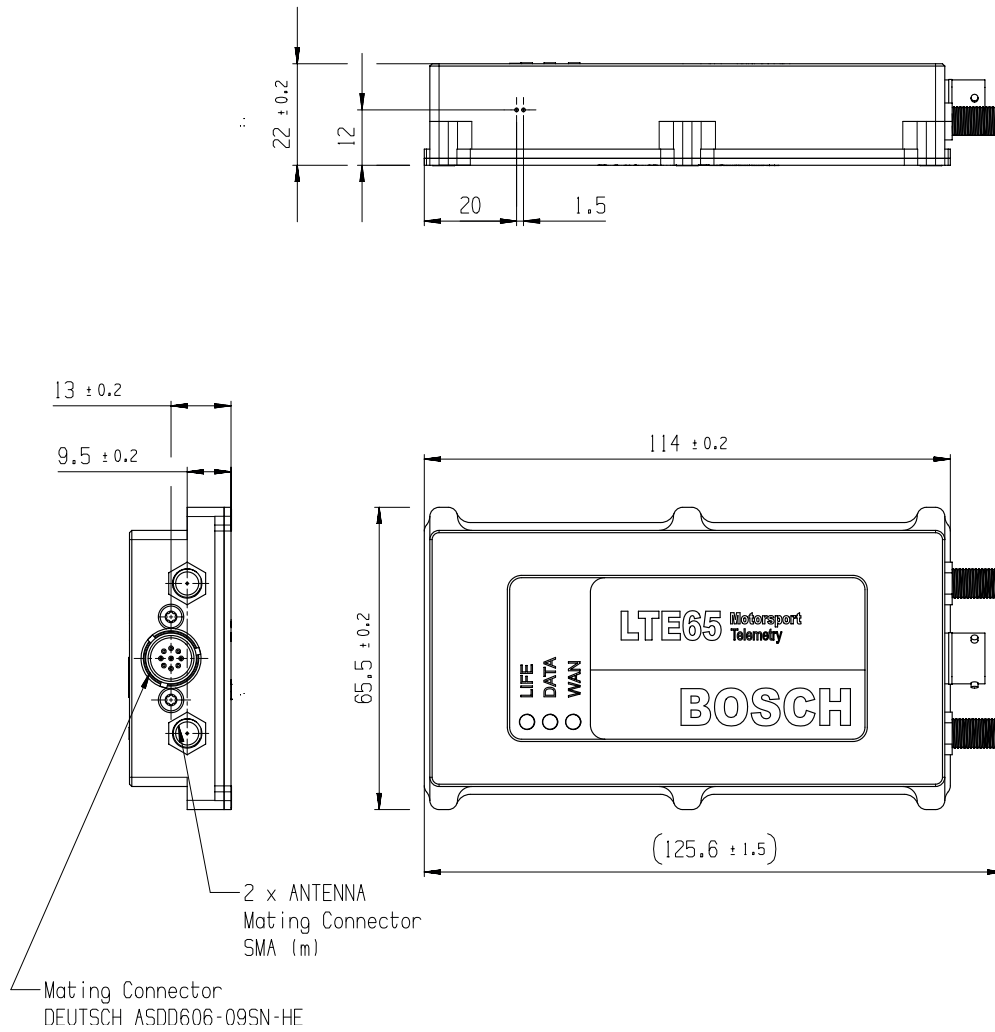
Pitstand Antenna

Quantity 1 required per modem

Order number **F02U.00U.070-01**

Pitstand HarnessOrder number **F02U.V02.804-02**

Dimensions



Represented by:

Europe:
 Bosch Engineering GmbH
 Motorsport
 Robert-Bosch-Allee 1
 74232 Abstatt
 Germany
 Tel.: +49 7062 911 9101
 Fax: +49 7062 911 79104
 motorsport@bosch.com
 www.bosch-motorsport.de

North America:
 Bosch Engineering North America
 Motorsport
 38000 Hills Tech Drive
 Farmington Hills, MI 48331-3417
 United States of America
 Tel.: +1 248 876 2977
 Fax: +1 248 876 7373
 motorsport@bosch.com
 www.bosch-motorsport.com

Asia-Pacific:
 Bosch Engineering Japan K.K.
 Motorsport
 18F Queen's Tower C, 2-3-5 Minato
 Mirai Nishi-ku, Yokohama-shi
 Kanagawa 220-6218
 Japan
 Tel.: +81 45 650 5610
 Fax: +81 45 650 5611
 www.bosch-motorsport.jp

Australia, New Zealand and South Africa:
 Robert Bosch Pty. Ltd
 Motorsport
 1555 Centre Road
 Clayton, Victoria, 3168
 Australia
 Tel.: +61 (3) 9541 3901
 motor.sport@au.bosch.com