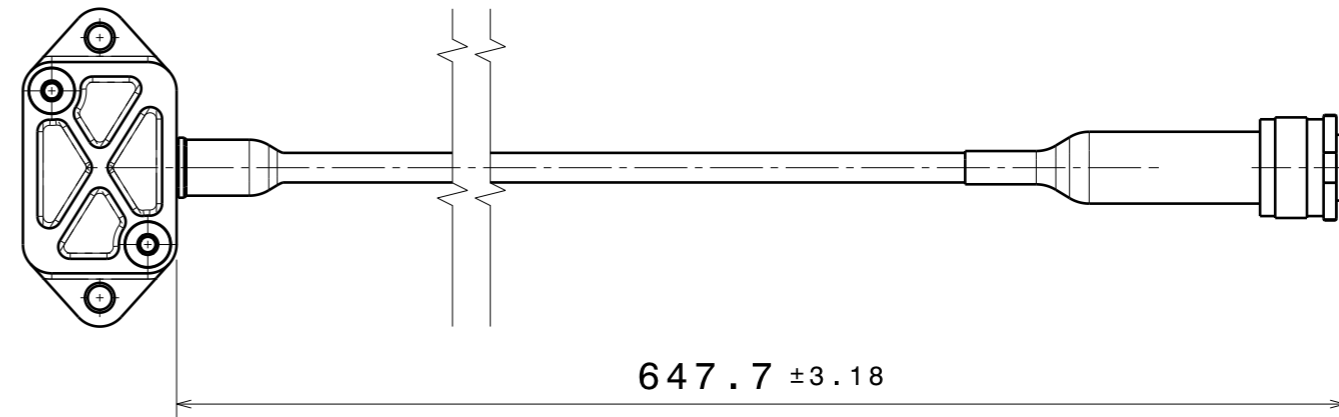
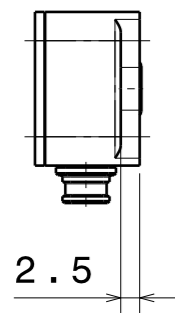
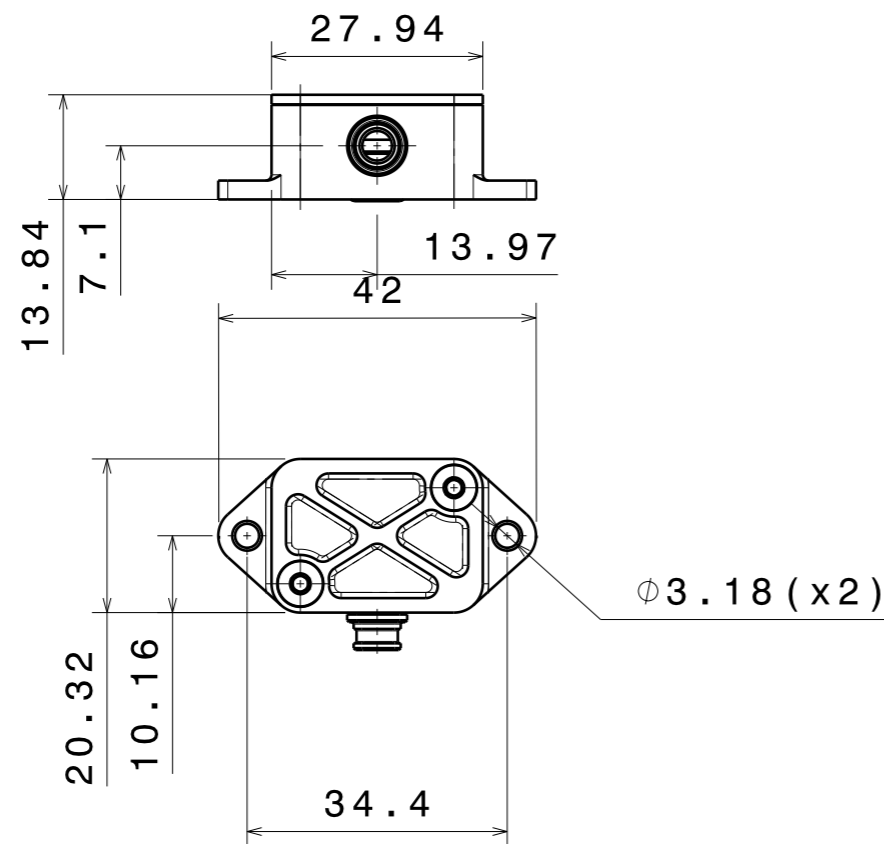
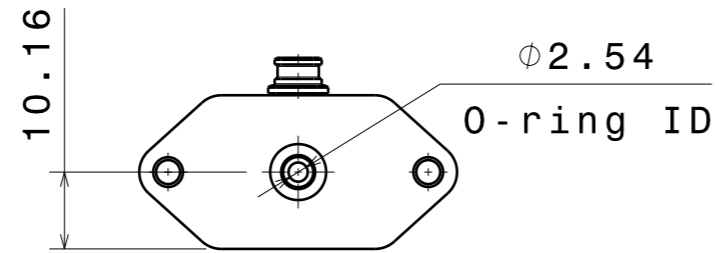


Sensor Pin Assignment			
Pin	AWG	Color	Description
1	24	Wht/Org	12V Sensor Supply
2	24	Wht/Blu	Sensor Ground
3	24	Wht	Sensor Signal
4	24	Unused	Unused
5	24	Unused	Unused



all linear dimensions in	mm
size acc. to	ISO 14405-1:2010-12
envelope principle	(E)

- Notes:**
- Wire spec: Raychem Spec55A, 24AWG or MIL-22759/32
 - Sleeve spec: Raychem 1/8 DR-25

02 Revision	20191016	PAA3FH			MSD	BEG/MSD-ENA	-				
01 Initial	20160310	JnP	MyJ	MyJ	MSD	BEG/MSD-NA	.				
Ind.	Change	YYYYMMDD	Drawn	Checked	Releas.	BWN	Resp. dept.	Add. info.			
Lang.	Syst.	Wght.	BOSCH				Pressure Sensor		Sheet		
en	CAT						Druckfuehler		1/1		
Scale		1:1		Doc. type			AGZ F02U.VOU.197-03		DP	Ind.	Format
				OFFER DRAWING			000 01		A3		
Repl. for							Repl. by				

F02U.VOU.197-03	647.7 (+/-3.18)	ASL 6 06-05 PC-HE	10 - 115 kPa
Order Number	Cable Length (mm)	Connector	Pressure Range

© Bosch Engineering GmbH. All rights reserved. Also regarding any disposal, exploitation, reproduction, editing, distribution, as well as in the event of applications for industrial property rights.