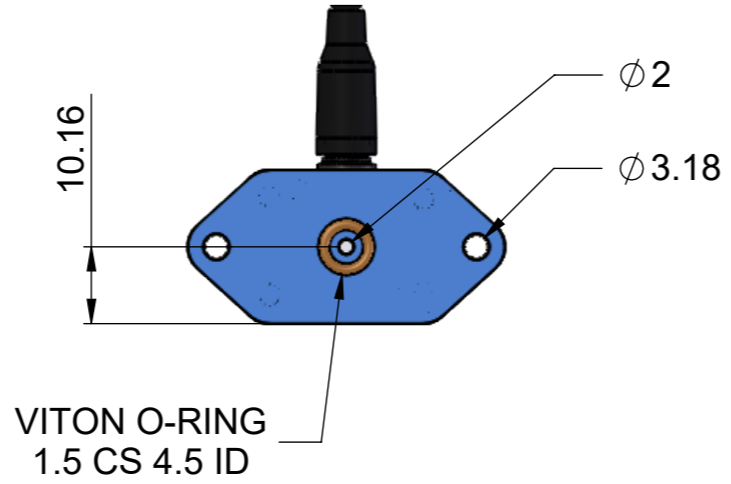
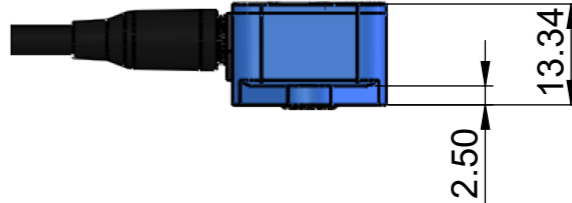
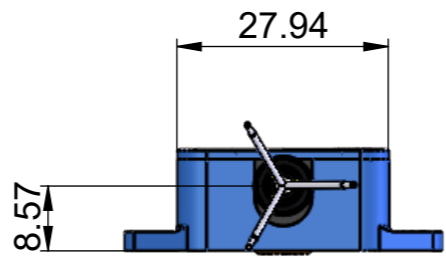
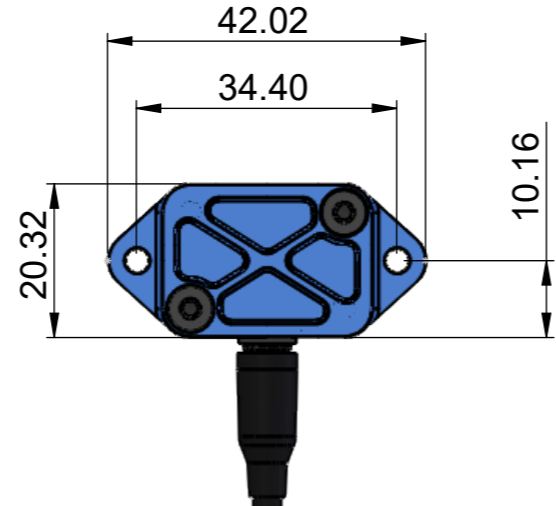
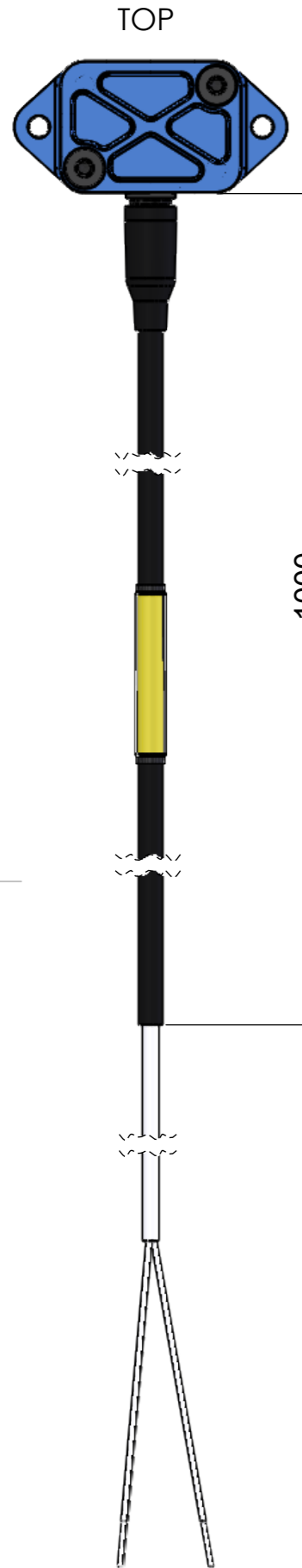


© Robert Bosch LLC [2008]. All rights reserved. also regarding any disposal, exploitation, reproduction, editing, distribution, as well as in the event of applications for industrial property rights.



SENSOR WIRE ASSIGNMENT

AWG	COLOR	DESCRIPTION
24	WHT/ORG	12V SENSOR SUPPLY
24	WHT/BLU	SENSOR GROUND
24	WHT	SENSOR SIGNAL

SENSOR INFORMATION

PRESSURE RANGE	LEAD LENGTH	ORDER NUMBER
10 - 115 kPa	1000mm	F02U.V0U.197-90

NOTE - FLAT MOUNTING BOSS REQUIRED FOR O-RING SEAL. SURFACE FLATNESS SHOULD NOT EXCEED +/- 0.025mm AFTER SENSOR BOLTS ARE TORQUED

01	INITIAL	20211029	MeJ	BeC		MSD	BEG/MSD-ENA	
Ind.	Change	YYYYMMDD	Drawn	Checked	Release	BWN	Resp. dept.	Add info.
Treatment							Missed Details	Size
Material							VARIOUS	
Lang.							ENG	
Weight							Scale	
Crit. P.							1:1	
MNR							Mat. meets	
Syst.							SW	
Doc.Type							AGZ	
Repl. for							PSA-N FL OFFER DRAWING	
Repl. by							F02U.V0U.197-90	
DP/TD							000	
Vers.							01	
Format							A3	
Sheet							1 / 1	