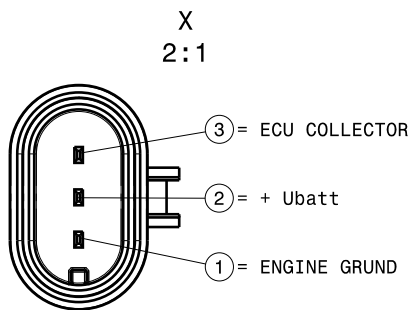
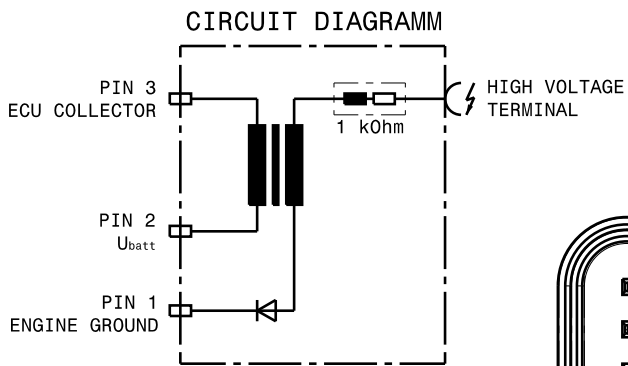
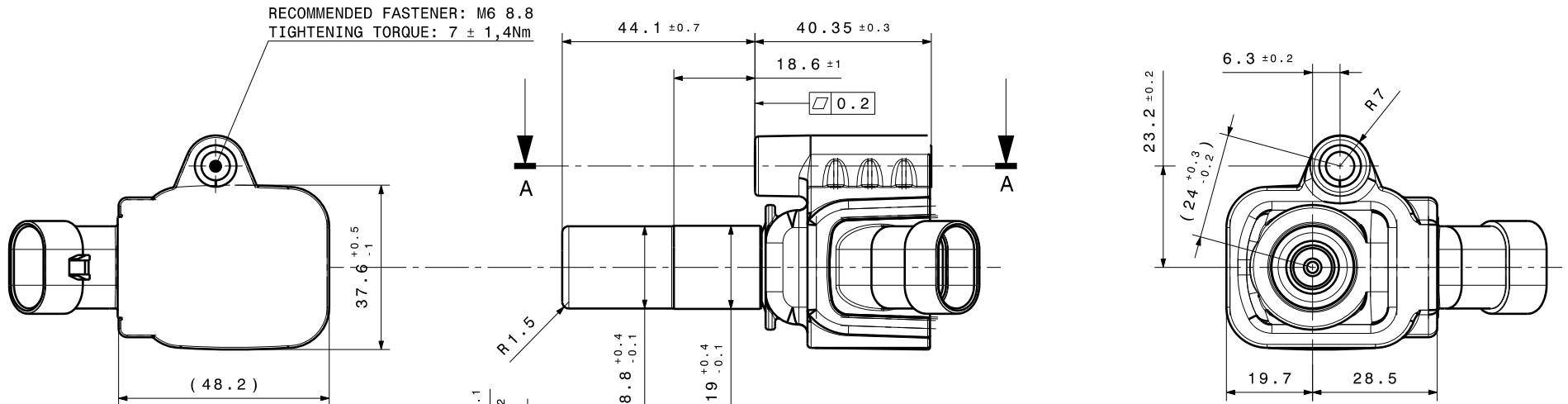


© Bosch Engineering GmbH. Alle Rechte vorbehalten, auch bzgl. jeder Verfügung, Verwertung, Reproduktion, Bearbeitung, Weitergabe sowie für den Fall von Schutzrechtsanmeldungen.

© Bosch Engineering GmbH. All rights reserved, also regarding any disposal, exploitation, reproduction, editing, distribution, as well as in the event of applications for industrial property rights.



AMP C-284425-1, 3PINS, POLARIZATION 1

CUSTOMER HAS TO ASSURE THE CONTINUOUS STABILITY OF THE CONNECTION SYSTEM. BOSCH DOES NOT ACCEPT LIABILITY FOR DEFECTS OF THE CONNECTION SYSTEM.

CAUTION:
PRIMARY CONNECTION HAS DANGEROUS VOLTAGE!
DO NOT USED WITHOUT SPARK PLUG CONNECTOR!

general tolerances for/Allgemeintoleranzen fuer		
lin. dim./L.masse	radii/radien	angles/winkel
±0,5	±0,5	2°
all linear dimensions in/ Alle Laengenmasse in		mm
size acc. to / Masse nach ISO 14405-1:2010-12		
envelope principle / Huellprinzip		(E)

01 erstellt	20151002	SqW	LrH	WzP	6720BEG/MSD-P
no. Change/Aenderung	YYYYMMDD	Drawn/Gez.	Checked/Gepr.	Releas./Freig.	BWN
Lang./Spr.	Syst.	Wght./Gew.	Ignition Coil Zuendspule		
en/de	CAT	ca. 205g	Coil P65-wg		Sheet/Bl.
Scale/M.stab		1:1	Coil P65-wg		1/1
OFFER DRAWING ANGEBOTSZEICHN.		Doc.type AGZ	F 02U V01 927-01		DP/TD 000
Repl. for		Repl. by		Ind. 01	Format A3