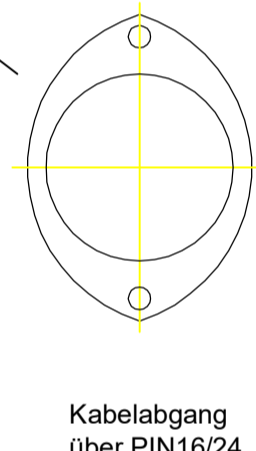
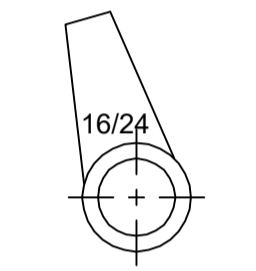
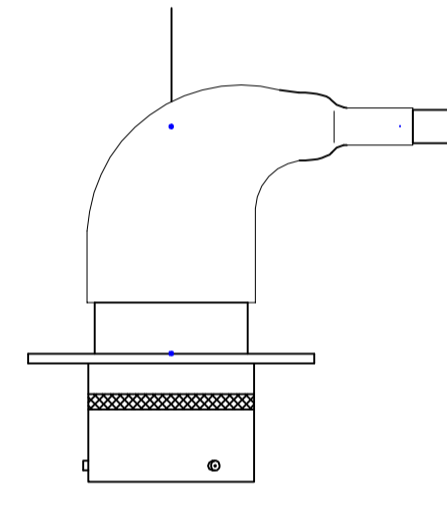


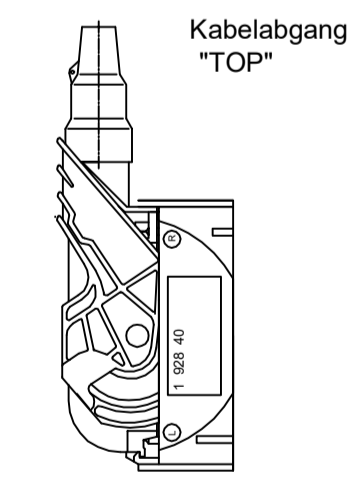
Flachsteckhülsen
vollständig mit Schlauch
überdecken !!



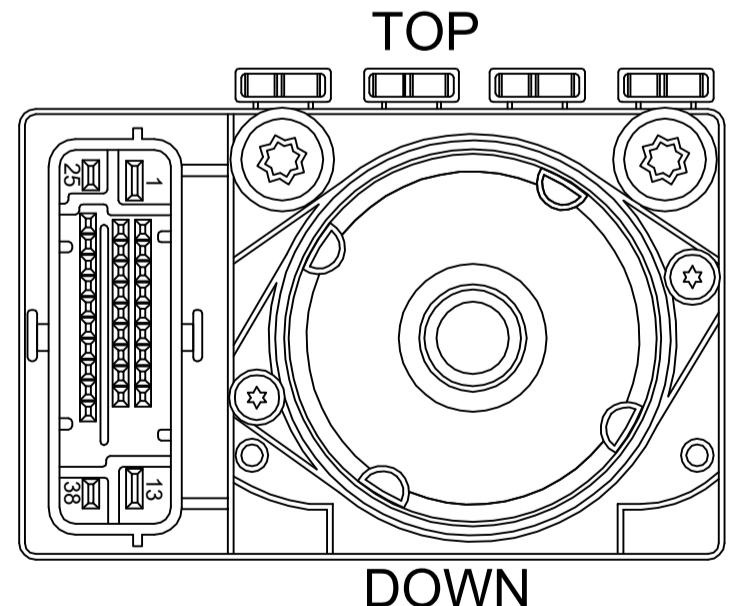
Kabelabgang über PIN16/24



Intersection ABS Front
AS 0-16-35-SN
222K142-25
SP/ABS FRONT



Wire Exit: top straight
F02U.B00.238-01



- shorten tail length of all boots 202D9XX-25 by half
- all transitions bonded
- all boots bonded at front and rear side or use -225 (w/ glue)
- all wires twisted
- all legs labeled
- all dimensions are metric
- boots with terminals must be sealed
- complete loom in DR-25
- fully populate all connectors with pins and sockets
- all unterminated screens to be folded back and sealed

| | | | | | |
|--------------------------------|--|--------------------------------|--|---|--|
| F02U.V02.752-02 | | F02U.S02.752-01 | | ABS M5 harness Porsche 991 CUP Gen.1 | |
| Bestell-Nummer order number | | Entwurfszeichnung schematic | | Benennung part name | |

| | | | |
|--|----------------------|---|-----------------------------|
| In all cases of doubt, the text in the original language is binding. In allen Zweifelsfällen ist der Text in der Ausgangssprache verbindlich. | | Original language: Ausgangssprache: de | |
| 02 DIAG conn. | 20180926 | SrM | BEG/MSD-NE4 |
| 01 Anlage | 20180613 | SrM | BEG/MSD-NE4 |
| Verf. | Change/Änd. | YYYYMMDD | Drawn/Gez. |
| Checked/Gepr. | Released/Freigegeben | Responsible/Verantwortl. | Additional Info./Zus. Info. |
| Mat./Stoff | Weight/Gew. | From/Aus | Scale/Gr. |
| Lang./Spr. | Scale/Massstab | Mat.no./Stoffnr. | Syst. |
| MNR | | NZ580-1 | CAT |

BOSCH ABS Porsche 991 CUP Gen.1 Heck : F02U.V02.752-02

Sheet/Bl. 1 of 1
Format A1