

HP Injection Valve HDEV 5.2



- ▶ Flow rate at 100 bar: up to 2,000 g/min (n-heptane)
- ▶ Max. 350 bar (higher on request)
- ▶ Up to 20 holes
- ▶ Spray angle 8 to 20°

The HDEV 5.2 is a high pressure injector, which is developed to be used as a port or a direct injector. The function of the HDEV 5.2 is both to meter out the fuel and to obtain a well-defined mixture of fuel and air. It is an inward opening solenoid injector which is optimized regarding very short opening and closing times which ensures a very stable linearity at short injection times.

The benefit of this injector is a high spray variability concerning spray angle and spray shape. Also the flow rate can be defined in a big range. Bosch offers the spray targeting design according to the individual customer requirements.

If your application conditions will not match the listed performance data, please ask for consultancy at Bosch Motorsport. In addition to the specific designed sample, Bosch offers cost effective production HDEV 5.2 on request.

Application

Application at 100 bar (typical)	308 to 2,000 g/min
Fuel input	Top-feed injector
Fuel	Gasoline
Operating pressure	Up to 350 bar (higher on request)
Operating temperature range	-31 to 130°C
Storage temperature range	-40 to 70°C
Max. vibration	600 m/s ²

Technical Specifications

Mechanical Data

Weight w/o wire	68 g
-----------------	------

Diameter body	20.7 mm
Diameter nozzle	7.5 mm
Length	87 mm
Flow rate at 100 bar (n-heptane)	up to 2,000 g/min
Number of holes	4 to 20 holes
Spray type	Multi hole
Spray angle overall	110° (typical)
Spray angle single beam	8 to 20°
Static flow tolerance	±4 %
Dynamic flow tolerance	±6 % at $t_i = 1.5$ ms
Leakage	≤2.5 mm ³ /min at 23°C

Electrical Data

Booster supply	65 V
Booster current	13.4 A
Booster time	480 μs
Power supply	12 V
Pick up current	9.4 A
Pick up time	704 μs
Hold power supply	12 V
Hold current	3.7 A hysteresis 0.8 A
Coil resistance	1,500 mOhm (ambient temp.)

Connectors and Wires

Mating connector Compact	D261.205.359-01
Connector Jetronic (wire)	D261.205.288-01
Connector motorsport (wire)	On request
Pin 1	Pos
Pin 2	Gnd

Installation Notes

The injector has to be supplied by a Bosch Motorsport Power Stage Unit (e.g. HPI 5 or HPI 1.16).

Listed electrical values may vary according to the application.

The injector can be cleaned (mechanically or chemically), if the tip will not be damaged.

Do not use supersonic cleaning.

Legal Restrictions

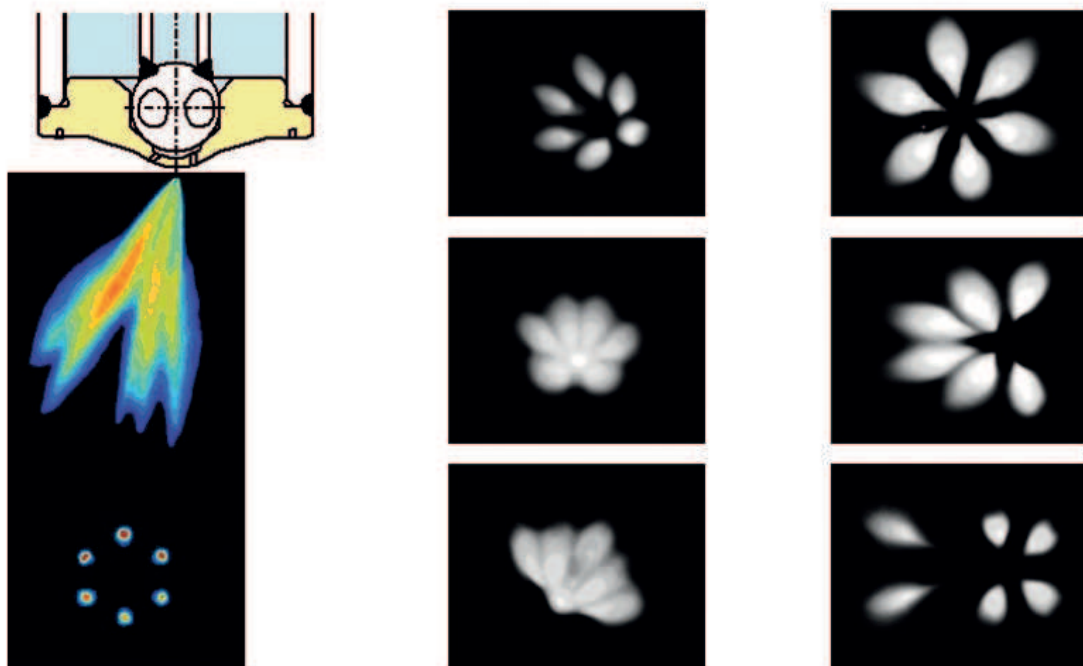
Generally blocked are direct and indirect business involving high risk destinations, including Russia, Belarus, Cuba, Iran, North Korea, Syria, Libya, Afghanistan, and certain non-governmental controlled Ukrainian regions. This list may change as geopolitics evolve.

Ordering Information

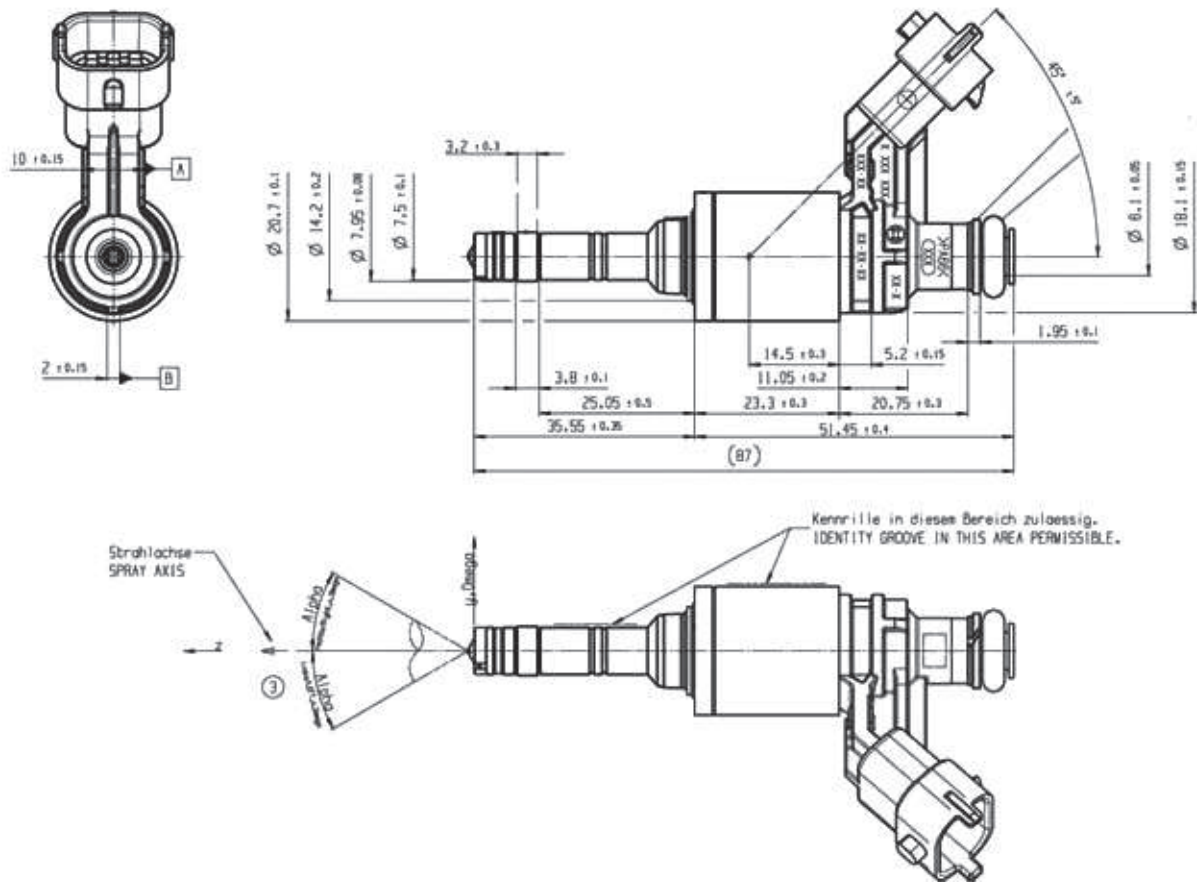
HP Injection Valve HDEV 5.2

Order number on request

Dimensions



Spray variations, further variations on request



Represented by:

Europe:
 Bosch Engineering GmbH
 Motorsport
 Robert-Bosch-Allee 1
 74232 Abstatt
 Germany
 motorsport@bosch.com
 www.bosch-motorsport.de

North America:
 Bosch Engineering North America
 Motorsport
 38000 Hills Tech Drive
 Farmington Hills, MI 48331-3417
 United States of America
 motorsport@bosch.com
 www.bosch-motorsport.com

Asia-Pacific:
 Bosch Engineering Japan K.K.
 Motorsports Department
 1-9-32 Nakagawachuo, Tsuzuki-ku
 Yokohama-shi
 Kanagawa, 224-8601
 Japan
 motorsport@jp.bosch.com
 www.bosch-motorsport.jp

Australia, New Zealand and South Africa:
 Robert Bosch Pty. Ltd
 Motorsport
 1555 Centre Road
 Clayton, Victoria, 3168
 Australia
 motor.sport@au.bosch.com
 www.bosch-motorsport.com.au