

Acceleration Sensor MM5.10-R



- ▶ Application 1: $\pm 163^\circ/\text{s}$ (roll rate/ yaw rate)
- ▶ Application 2: $\pm 4.2 \text{ g}$ (X, Y and Z acceleration)
- ▶ Weight w/o wire: 28 g
- ▶ Size: 34 x 34 x 16.5 mm
- ▶ Power supply: 7 to 18 V

The MM5.10-R was designed to measure the physical effects of rotational and linear acceleration. In order to achieve this, the sensor includes MEMS measuring elements connected to an appropriate integrated circuit.

A rotational acceleration around the integrated sensing elements generates a Coriolis force which changes the internal capacity of the micro machined sensing parts. Furthermore, a pure surface micro machined element is used to measure the vehicle lineal acceleration in all 3 axes. This combination of rotational and linear acceleration sensors enables a precise measurement of the vehicle dynamics.

The main features and benefits of this sensor are the aluminum compact housing, the combination of 3 linear and 2 rotational accelerometers and its high speed 1 Mbaud CAN-signal output.

Application

Application I	$\pm 163^\circ/\text{s}$ (roll rate/yaw rate)
Application II	$\pm 4.2 \text{ g}$ (X, Y and Z acceleration)
Operating temperature range	-20 to 85°C

Technical Specifications

Mechanical Data

Weight w/o wire	28 g
Size	34 x 34 x 16.5 mm

Electrical Data

Power supply	7 to 18 V
Max input current	90 mA
CAN speed	1 Mbaud or 500 kbaud

CAN Message

CAN ID 01 0x174

Byte	Value
0	Yaw rate
1	
2	Reserved
3	
4	Acc Y-axis
5	
6	Reserved
7	Unused

CAN ID 02 0x178

Byte	Value
0	Roll rate
1	
2	Reserved
3	
4	Acc X-axis
5	
6	Reserved
7	Unused

CAN ID 03 0x17C

Byte	Value
0	Reserved
1	
2	Reserved
3	
4	Acc Z-axis

5	
6	Reserved
7	Unused

Characteristic

Characteristic Application I

Measuring range	$\pm 160^\circ/\text{s}$
Over range limit	$\pm 1,000^\circ/\text{s}$
Absolute physical resolution	$0.1^\circ/\text{s}$
Cut-off frequency (-3 dB)	15 Hz; 30 Hz; 60 Hz

Characteristic Application II

Measuring range	$\pm 4.2 \text{ g}$
Over range limit	$\pm 10 \text{ g}$
Absolute physical resolution	0.01 g
Cut-off frequency (-3 dB)	15 Hz; 30 Hz; 60 Hz

Connectors and Wires

Connector	ASX002-05PA-HE
Mating connector	ASX602-05SA-HE
Pin 1	UBat
Pin 2	CANH
Pin 3	Not connected
Pin 4	CANL
Pin 5	Gnd
Sleeve	DR-25

CAN Parameters

Byte order	LSB (Intel)
CAN speed	1 Mbaud or 500 kbaud
Bit mask	unsigned
Offset (all signals)	0x8000 hex

Quantization Yaw Rate	0.005 [$^\circ/\text{s}/\text{digit}$]
Quantization Roll Rate	0.005 [$^\circ/\text{s}/\text{digit}$]
Quantization Acc X-axis	0.0001274 [g/digit]
Quantization Acc Y-axis	0.0001274 [g/digit]
Quantization Acc Z-axis	0.0001274 [g/digit]

Installation Notes

Mounting position: Connector opposite to driving direction.

The MM5.10-R can be connected directly to most control units and data logging systems.

Please avoid abrupt temperature changes.

For mounting please use only the integrated fixing holes.

Please ensure that the environmental conditions do not exceed the sensor specifications.

Please find further application hints in the offer drawing at our homepage and calibration sheet.

Please deliver the calibration sheet with your order placement.

Please note:

CAN ID 0x0170 (Rx) is used for synchronization and configuration of the sensor (SYNC). Make sure that the CAN ID 0x170 is not used in your can network by any other device.

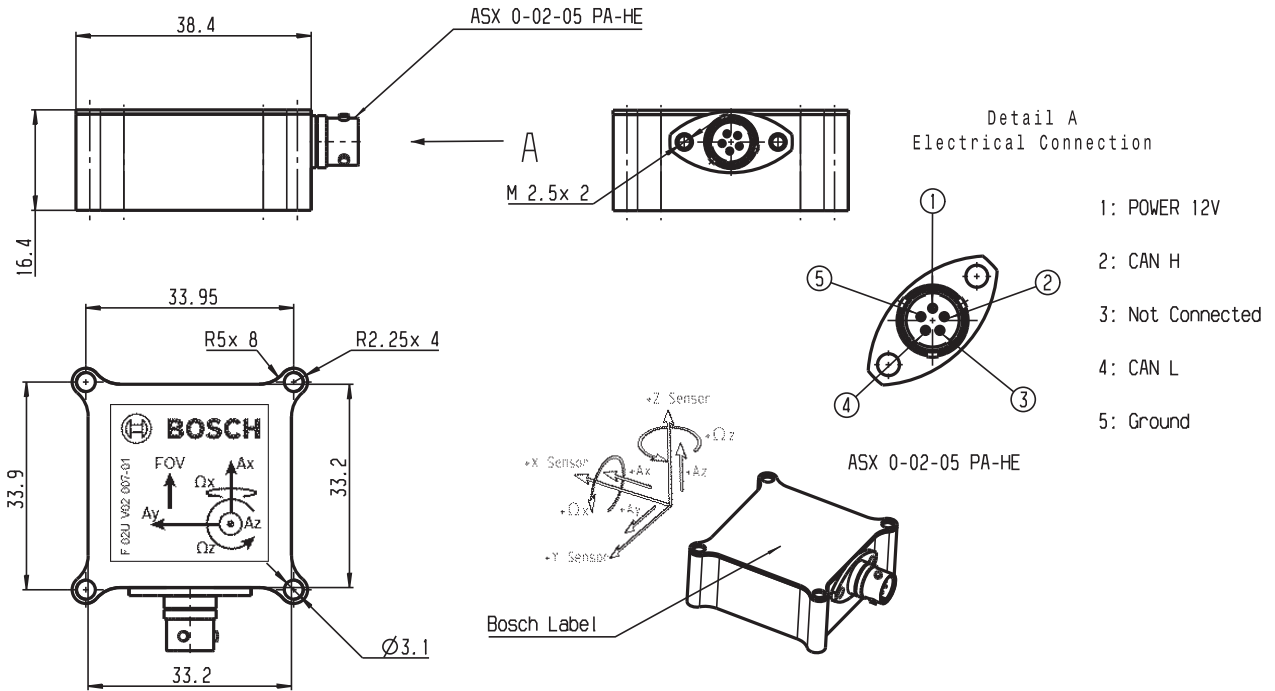
Safety Note

The sensor is not intended to be used for safety related applications without appropriate measures for signal validation in the application system.

Ordering Information

Acceleration Sensor MM5.10-R
Order number **F 02U V02 007-01**

Dimensions



Represented by:

Europe:
Bosch Engineering GmbH
Motorsport
Robert-Bosch-Allee 1
74232 Abstatt
Germany
Tel.: +49 7062 911 9101
Fax: +49 7062 911 79104
motorsport@bosch.com
www.bosch-motorsport.de

North America:
Bosch Engineering North America
Motorsport
38000 Hills Tech Drive
Farmington Hills, MI 48331-3417
United States of America
Tel.: +1 248 876 2977
Fax: +1 248 876 7373
motorsport@bosch.com
www.bosch-motorsport.com

Asia-Pacific:
Bosch Engineering Japan K.K.
Motorsport
18F Queen's Tower C, 2-3-5 Minato
Mirai Nishi-ku, Yokohama-shi
Kanagawa 220-6218
Japan
Tel.: +81 45 650 5610
Fax: +81 45 650 5611
www.bosch-motorsport.jp

Australia, New Zealand and South Africa:
Robert Bosch Pty. Ltd
Motorsport
1555 Centre Road
Clayton, Victoria, 3168
Australia
Tel.: +61 (3) 9541 3901
motor.sport@au.bosch.com